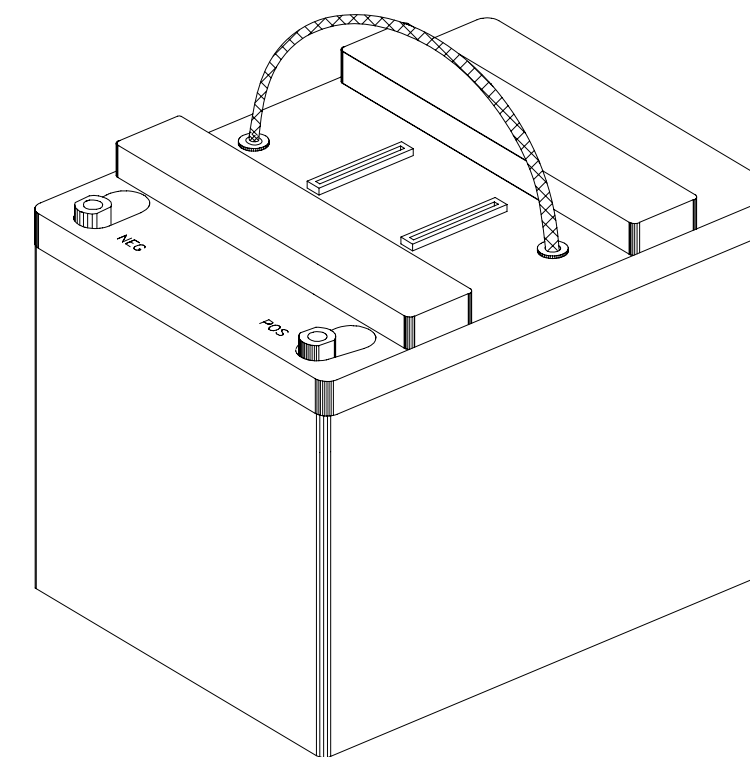
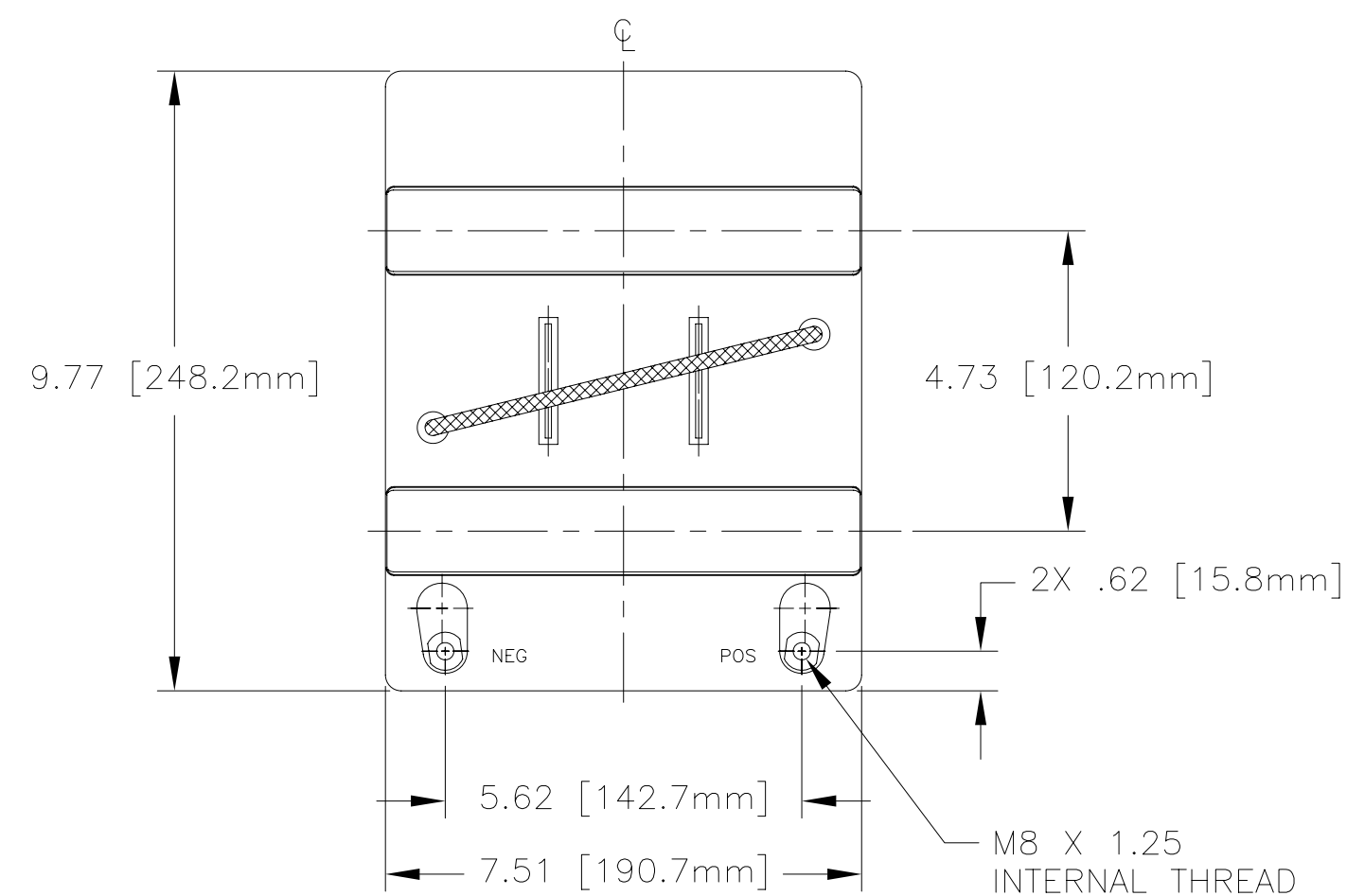


NOTES: UNLESS OTHERWISE SPECIFIED

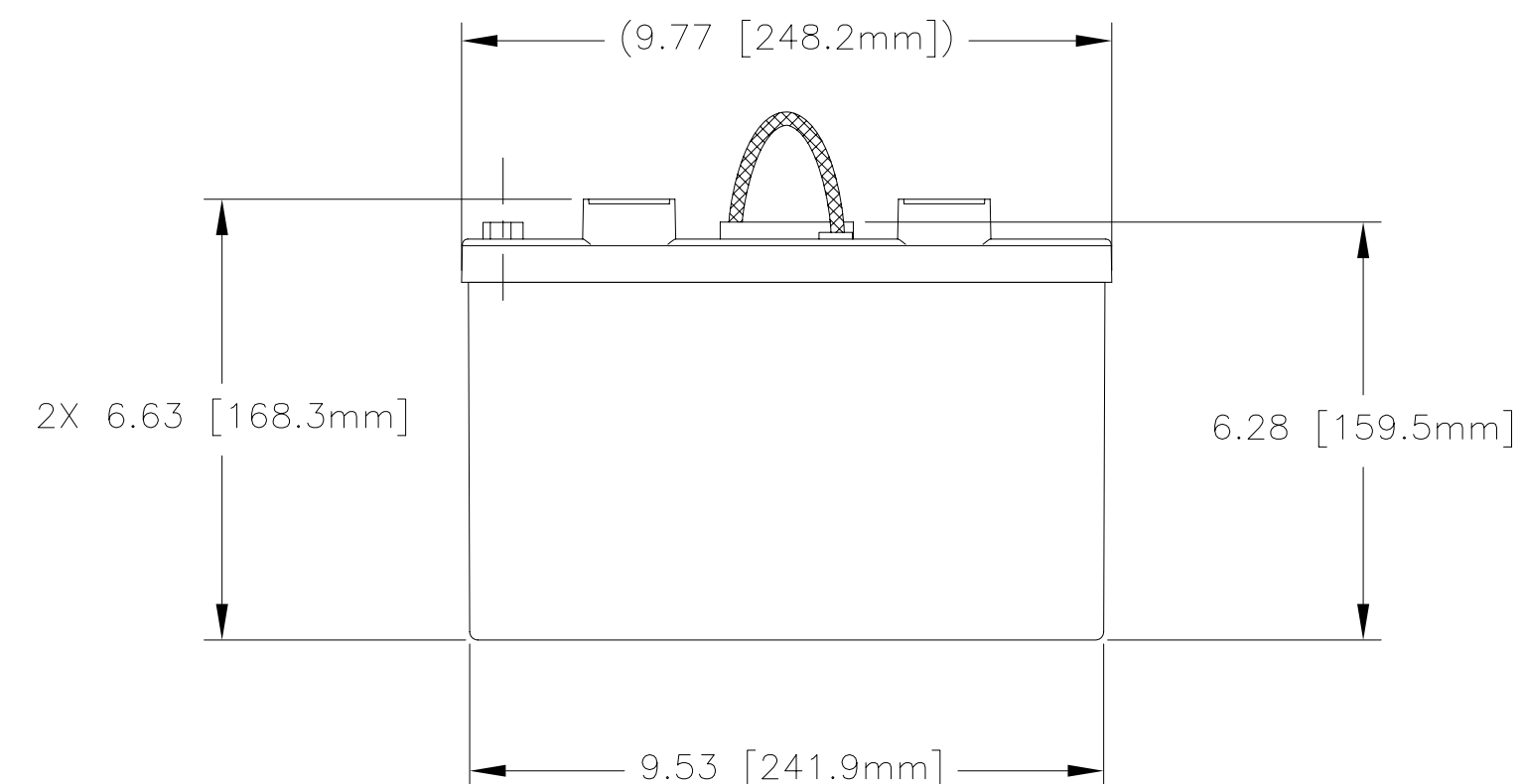
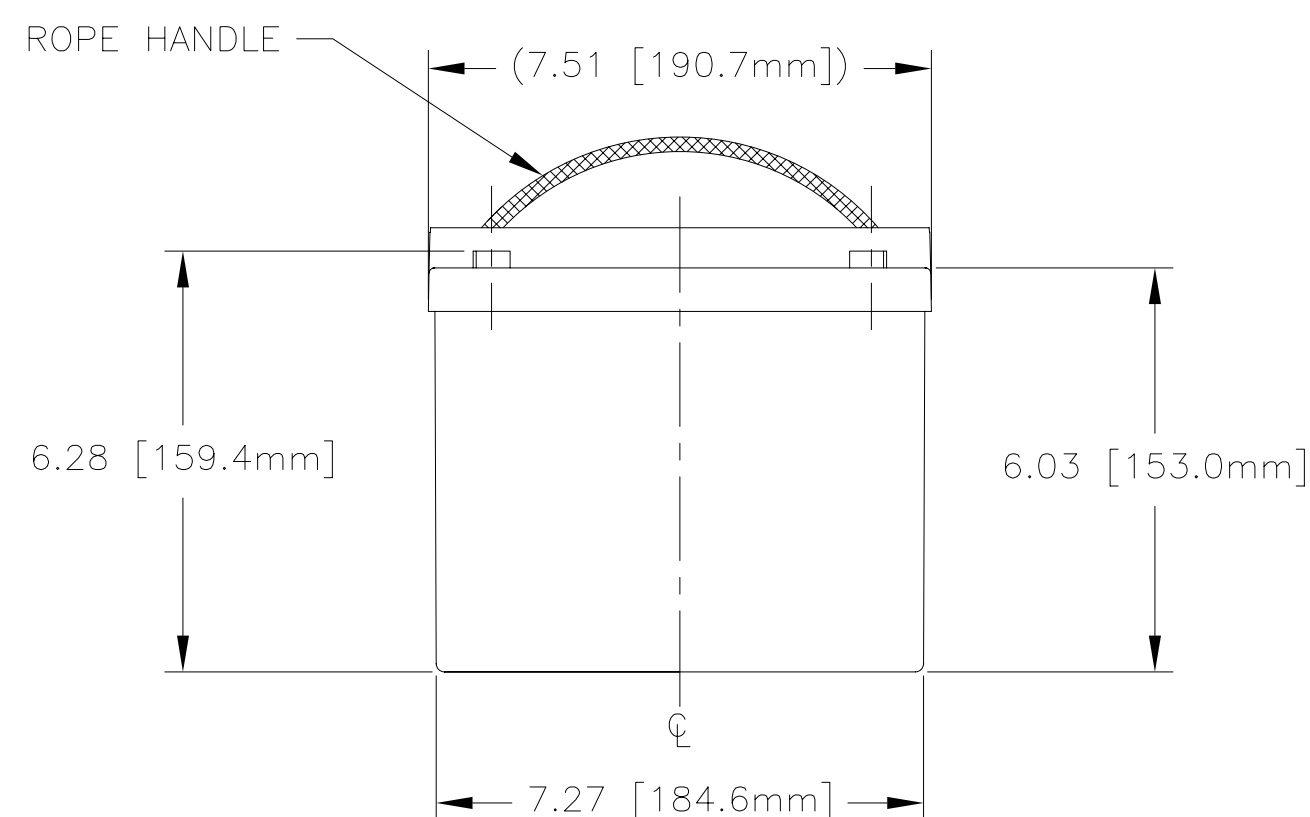
1. MANUFACTURED AND INSPECTED IAW AS9100 QUALITY SYSTEM REQUIREMENTS.
2. ABBREVIATION USED IN TITLE IS: VALVE REGULATED SEALED LEAD ACID (VRSLA).
3. SEE DRAWING NUMBER CB-00241 AND PROCEDURE P-1000 FOR ASSEMBLY AND TEST INSTRUCTION. PROCEDURES AND ASSEMBLY DRAWINGS ARE FOR INTERNAL USE ONLY.
4. BATTERIES ARE RATED IAW INTERNATIONAL ELECTROTECHNICAL COMMISSION STANDARD 60952-1 AND RTCA STANDARD DO-293, UNLESS OTHERWISE NOTED.

5. GENERAL AVIATION BATTERIES ARE NOT DESIGNED FOR REPETITIVE TURBINE ENGINE STARTING.

REVISIONS			
REV	DESCRIPTION	DATE	APPROVED
A	35 LBS WAS 34 LBS	2/27/12	PH



REFERENCE VIEW



ENVELOPE DRAWING

PART NUMBER	RG24-17
MAXIMUM WEIGHT	35 LBS [15.9 KG]
RATED CAPACITY, C <sub>1</sub>	16 AH
POWER RATING AT 23°C	lpp 750 A, lpr 575 A
POWER RATING AT -18°C	lpp 500 A, lpr 375 A
POWER RATING AT -30°C	lpp 350 A, lpr 275 A

QTY REQD	CAGE CODE	PART OR IDENTIFYING NO.	NOMENCLATURE OR DESCRIPTION	MATERIAL SPECIFICATION	ITEM NO.
PARTS LIST					
UNLESS OTHERWISE SPECIFIED DIMENSIONS ARE IN INCHES TOLERANCES ARE:			CONCORDE BATTERY CORPORATION 2009 SAN BERNARDINO RD, W. COVINA, CA 91790		
FRACTIONS	DECIMALS	ANGLES	APPROVALS	DATE	TITLE
±1/32	.XX ±.06	±1°	R.MURRIETTA	8/19/10	BATTERY, VRSLA, 24 VOLT
	.XXX ±.030		CHECKED	AMIII	8/20/10
TREATMENT	NONE	APPROVED	JBT	10/5/10	SIZE C
FINISH	NONE	ISSUED	BT	2/27/12	CAGE CODE 63017
SIMILAR TO	ACT WT	CALC WT			DWG NO. RG24-17
					REV A
					SCALE NONE
					SHEET 1 OF 1