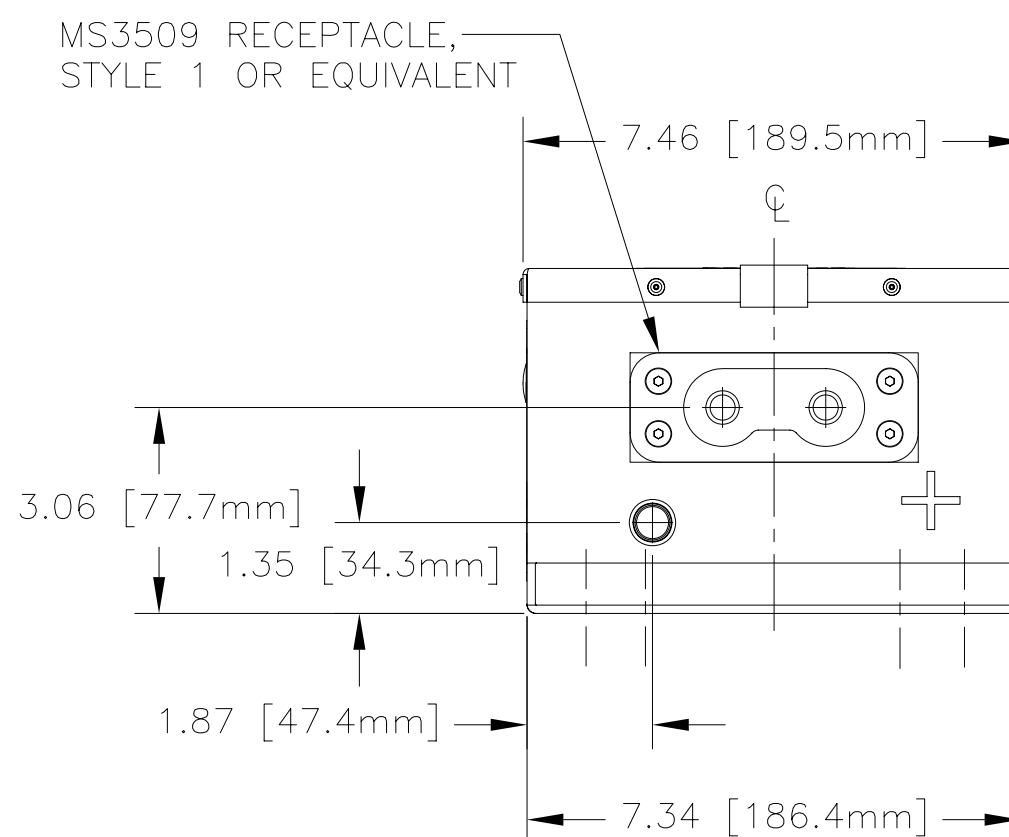
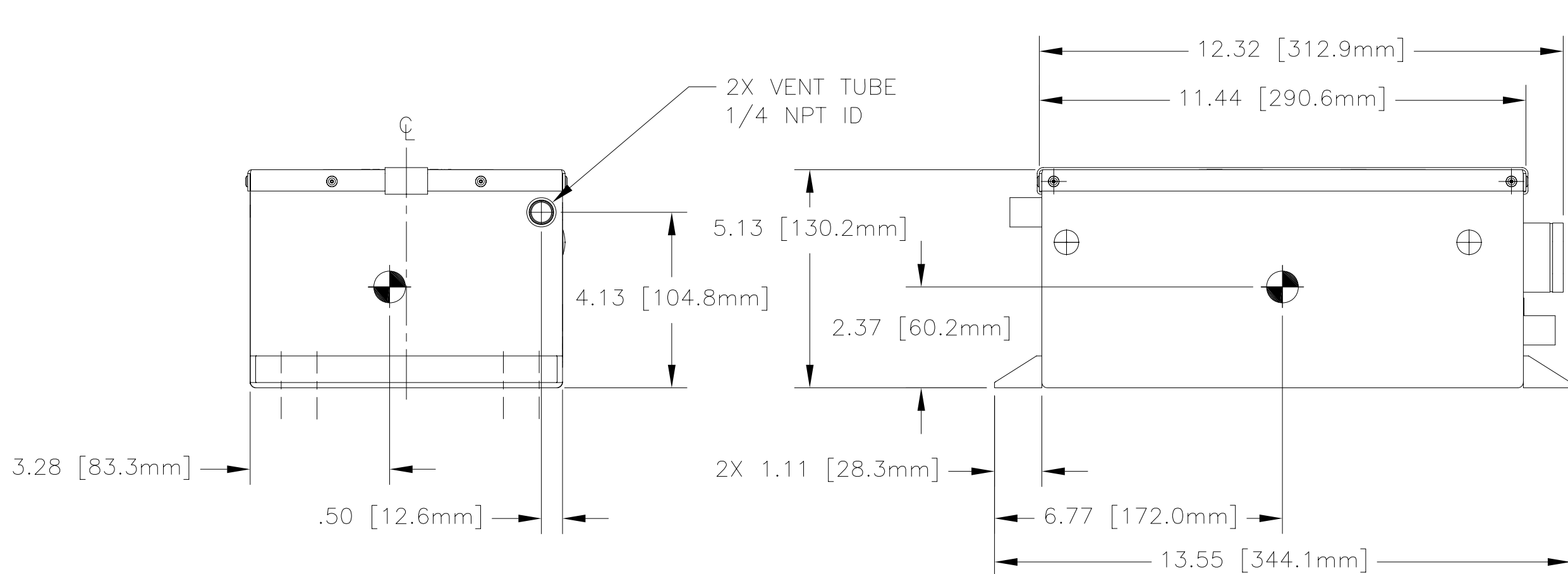
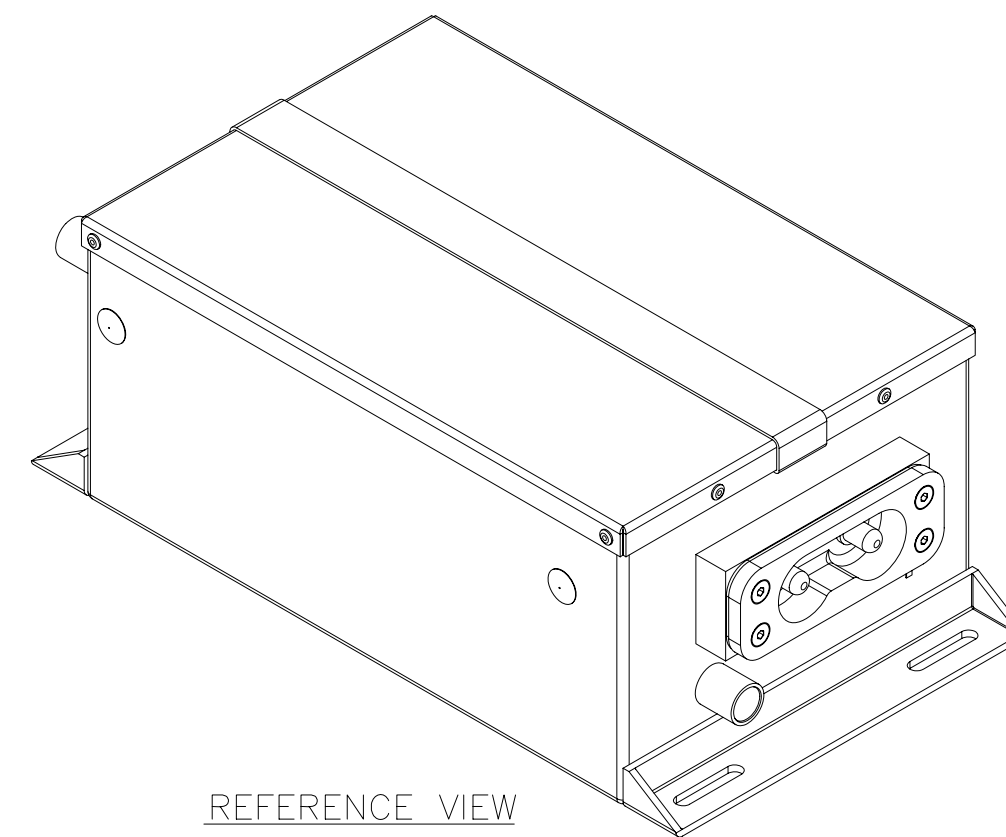
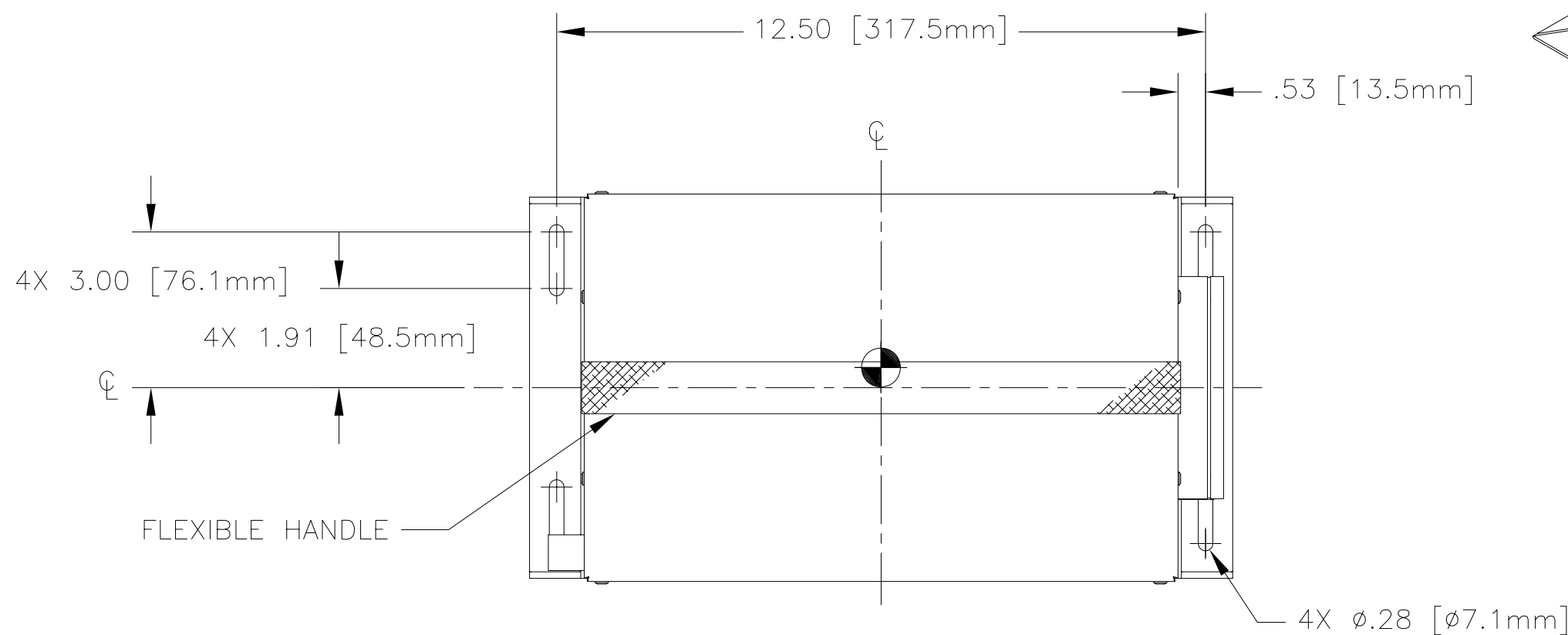


NOTES: UNLESS OTHERWISE SPECIFIED

1. MANUFACTURED AND INSPECTED IAW AS9100 QUALITY SYSTEM REQUIREMENTS.
2. ABBREVIATION USED IN TITLE IS: VALVE REGULATED SEALED LEAD ACID (VRSLA).
3. SEE DRAWING NUMBER CB-00324 AND PROCEDURE P-1000 FOR ASSEMBLY AND TEST INSTRUCTION. PROCEDURES AND ASSEMBLY DRAWINGS ARE FOR INTERNAL USE ONLY.
4. BATTERIES ARE RATED IAW INTERNATIONAL ELECTROTECHNICAL COMMISSION STANDARD 60952-1 AND RTCA DO-293, UNLESS OTHERWISE NOTED.

REVISIONS			
REV	DESCRIPTION	DATE	APPROVED
A	UPDATED NOTES 1, 2, 5, AND RATINGS PER TSO TEST	11/6/09	JBT
B	ADDED CG WITH DIMS, DELETED NOTE 1, RENUM NOTES 2 THRU 5	4/8/10	JBT



PART NUMBER	RG-49
MAXIMUM WEIGHT	42 LBS [19.1 KG]
RATED CAPACITY, C ₁	17 AH
POWER RATING AT 23°C (74°F)	lpp 900 A, lpr 625 A
POWER RATING AT -18°C (0°F)	lpp 600 A, lpr 425 A
POWER RATING AT -30°C (22°F)	lpp 450 A, lpr 300 A

ENVELOPE DRAWING

QTY REQD	CAGE CODE	PART OR IDENTIFYING NO.	NOMENCLATURE OR DESCRIPTION	MATERIAL SPECIFICATION	ITEM NO.
PARTS LIST					
UNLESS OTHERWISE SPECIFIED DIMENSIONS ARE IN INCHES TOLERANCES ARE:			CONTRACT NO. NA		
FRACTIONS DECIMALS ANGLES			CONCORDE BATTERY CORPORATION		
± 1/32 .XX ± .06 ± 1'			2009 SAN BERNARDINO RD, W. COVINA, CA 91790		
.XXX ± .030			TITLE		
TREATMENT NONE			BATTERY, VRSLA, 24 VOLT		
FINISH NONE			APPROVALS	DATE	SIZE
SIMILAR TO NA			CHECKED HRF	8/9/01	CAGE CODE
ACT WT NA			APPROVED JBT	8/10/01	63017
CALC WT NA			ISSUED JJ	4/12/10	DWG NO.
			SCALE 1:3		RG-49
			SHEET 1 OF 1		REV B