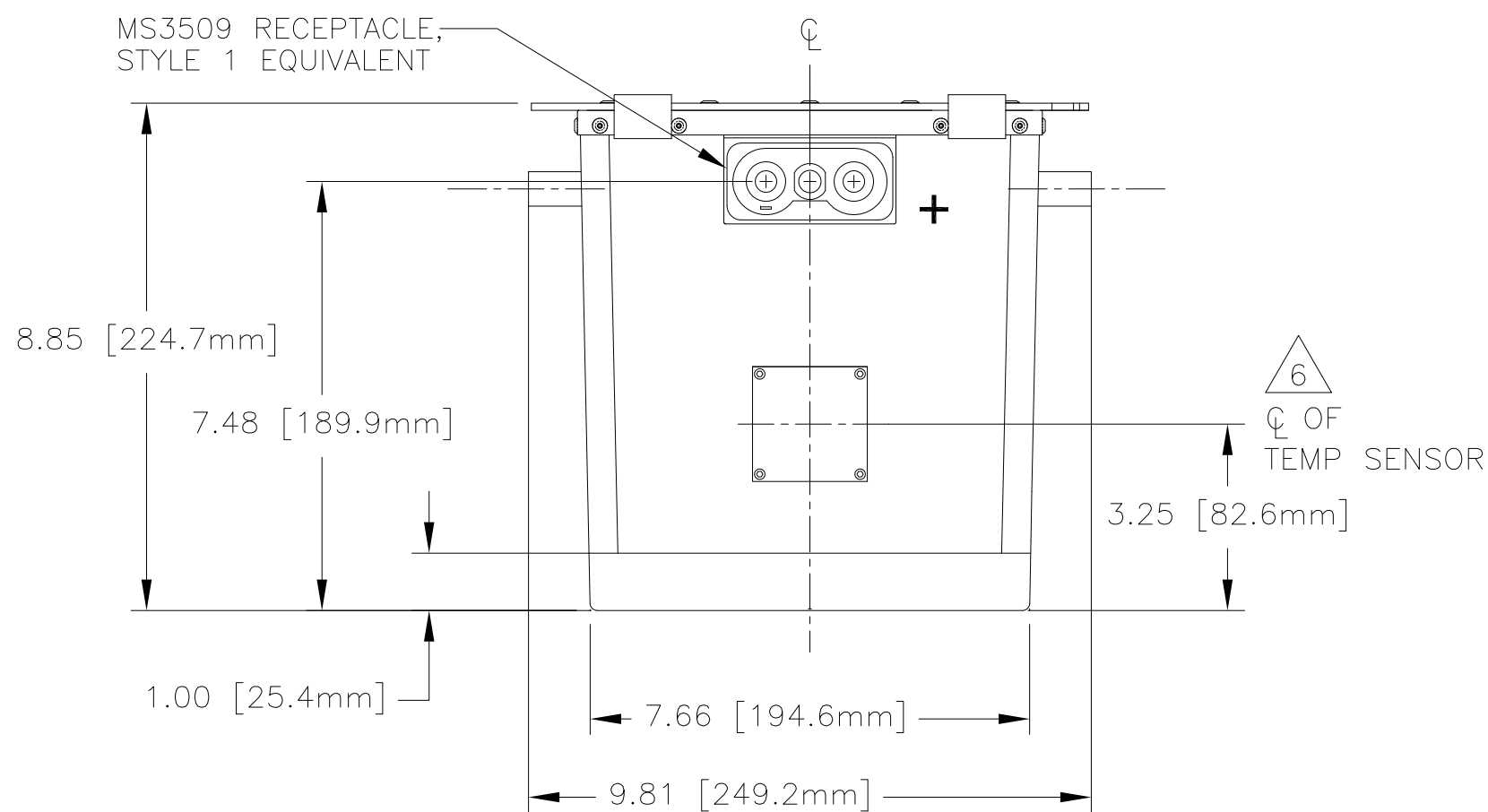
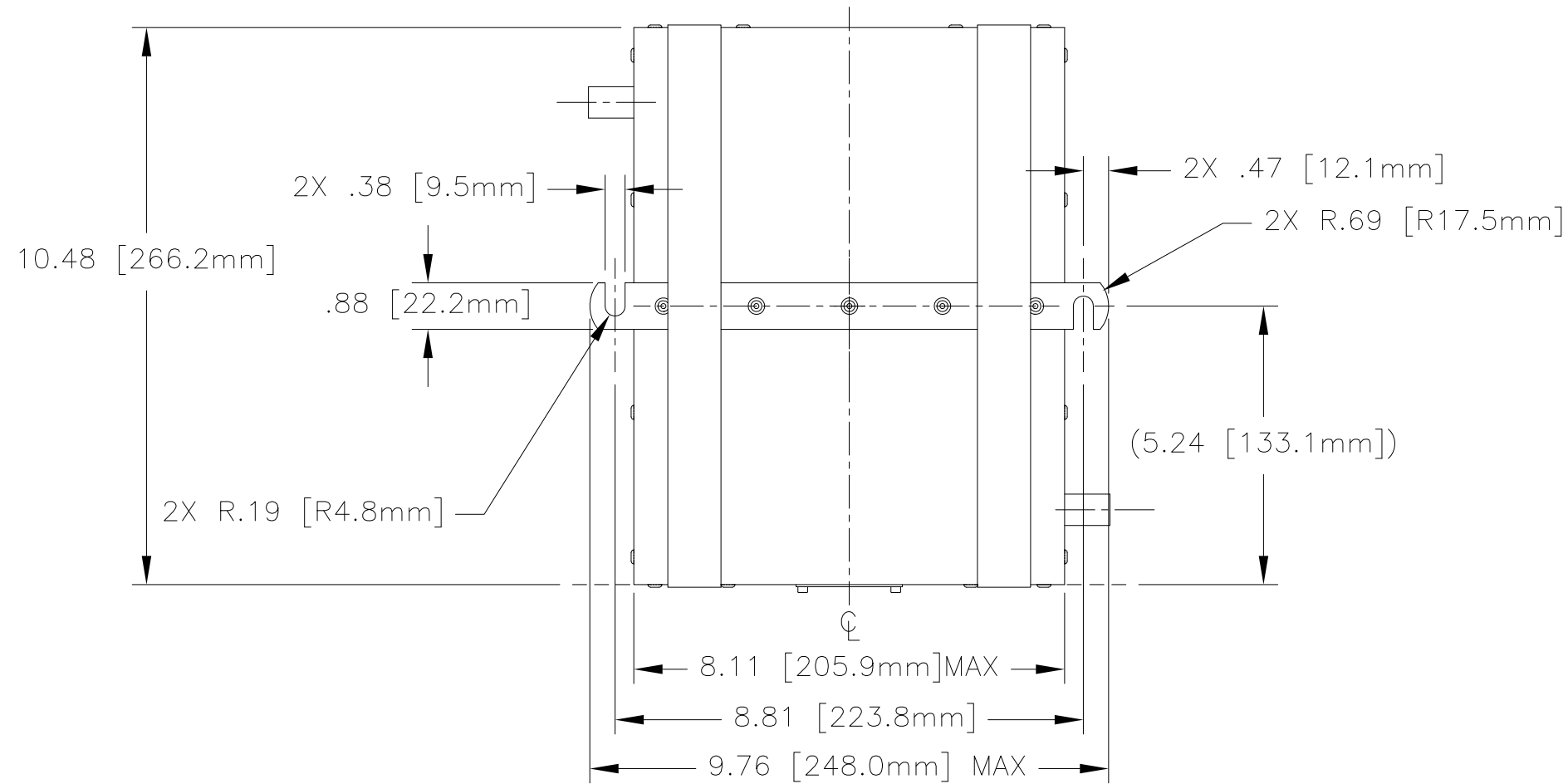


NOTES: UNLESS OTHERWISE SPECIFIED

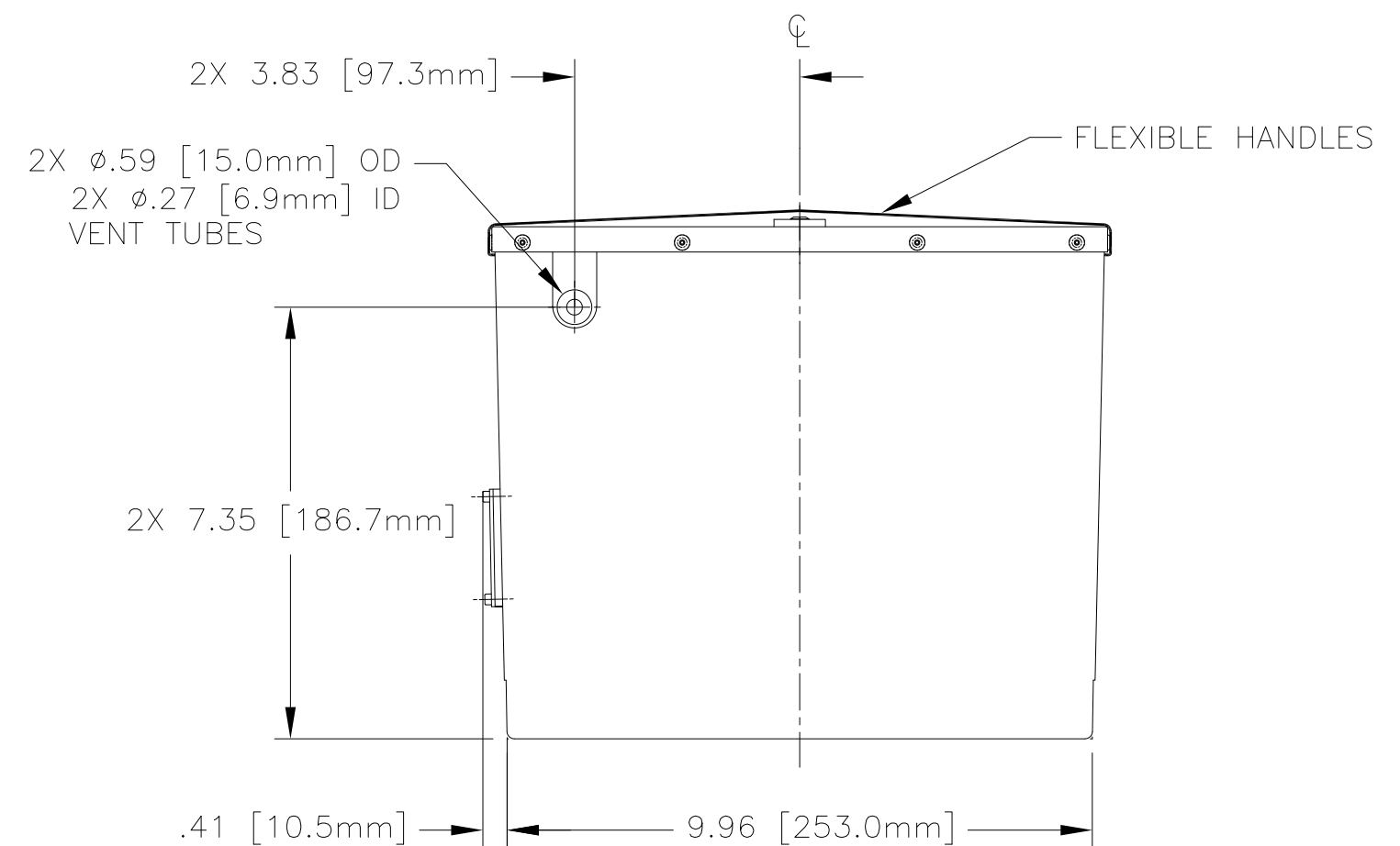
1. MANUFACTURED AND INSPECTED IAW AS9100 QUALITY SYSTEM REQUIREMENTS.
2. ABBREVIATION USED IN TITLE IS: VALVE REGULATED SEALED LEAD ACID (VRSLA).
3. SEE DRAWING NO. CB-00261 AND PROCEDURE P-1000 FOR ASSEMBLY AND TEST INSTRUCTION. PROCEDURES AND ASSEMBLY DRAWINGS ARE FOR INTERNAL USE ONLY.

4. BATTERIES ARE RATED IAW INTERNATIONAL ELECTROTECHNICAL COMMISSION STANDARD 60952-1 AND RTCA STANDARD DO-293A, UNLESS OTHERWISE NOTED.
5. "L" SUFFIX DENOTES A FIRE RESISTANT EXTERNAL CONTAINER CONSTRUCTED OF 5052 ALUMINUM ALLOY.
"LS" SUFFIX DENOTES A FIRE PROOF EXTERNAL CONTAINER CONSTRUCTED OF STAINLESS STEEL.
6. BATTERY MAY BE FITTED WITH TS-XX SERIES TEMP SENSOR.
7. DIMENSIONS ARE INCH [MILLIMETER].

REVISIONS			
REV	DESCRIPTION	DATE	APPROVED



PART NUMBER	5	RG-390E/30L	RG-390E/30LS
MAXIMUM WEIGHT		65 LBS [29.5 KG]	66 LBS [29.9 KG]
RATED CAPACITY, C ₁		30 AH	
POWER RATING AT 23°C		I _{pp} 1525 A, I _{pr} 1100 A	
POWER RATING AT -18°C		I _{pp} 1100 A, I _{pr} 800 A	
POWER RATING AT -30°C		I _{pp} 875 A, I _{pr} 600 A	



ENVELOPE DRAWING

QTY REQD	CAGE CODE	PART OR IDENTIFYING NO.	NOMENCLATURE OR DESCRIPTION	MATERIAL SPECIFICATION	ITEM NO.
PARTS LIST					
UNLESS OTHERWISE SPECIFIED DIMENSIONS ARE IN INCHES TOLERANCES ARE:			CONCORDE BATTERY CORPORATION		
FRACTIONS DECIMALS ANGLES			2009 SAN BERNARDINO RD, W. COVINA, CA 91790		
± 1/32 .XX ± .06 ± 1°			TITLE BATTERY, VRSLA, 24 VOLT		
.XXX ± .030			RG-390E/30L(S) SERIES		
TREATMENT	NONE		APPROVALS	DATE	SIZE
FINISH	NONE		DRAWN D. AYALA	3/10/15	C
SIMILAR TO	ACT WT	CALC WT	CHECKED AMIII	3/12/15	CAGE CODE
			APPROVED JBT	3/12/15	63017
			ISSUED AT	3/13/15	DWG NO.
					RG-390E/30L
					REV
					SCALE NONE
					SHEET 1 OF 1