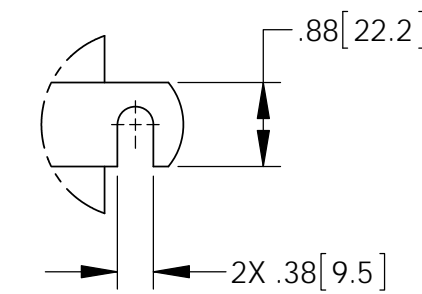
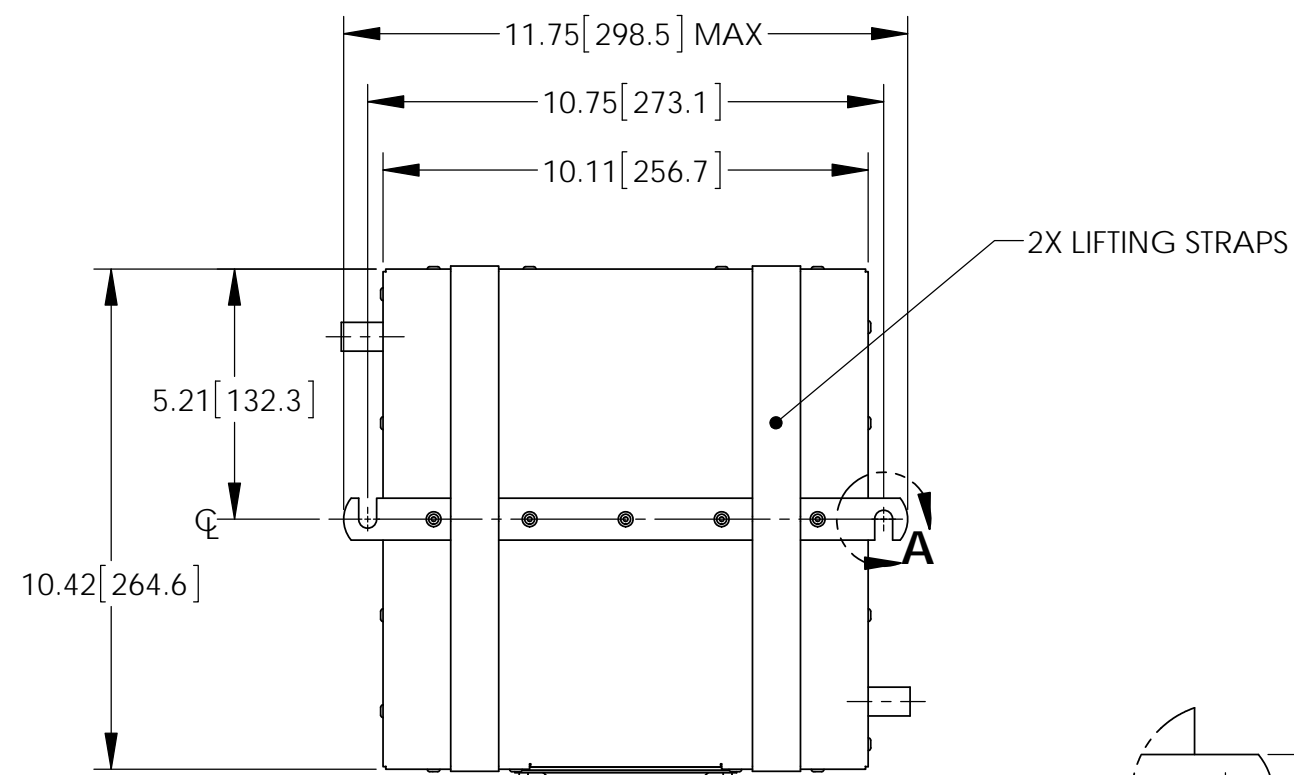


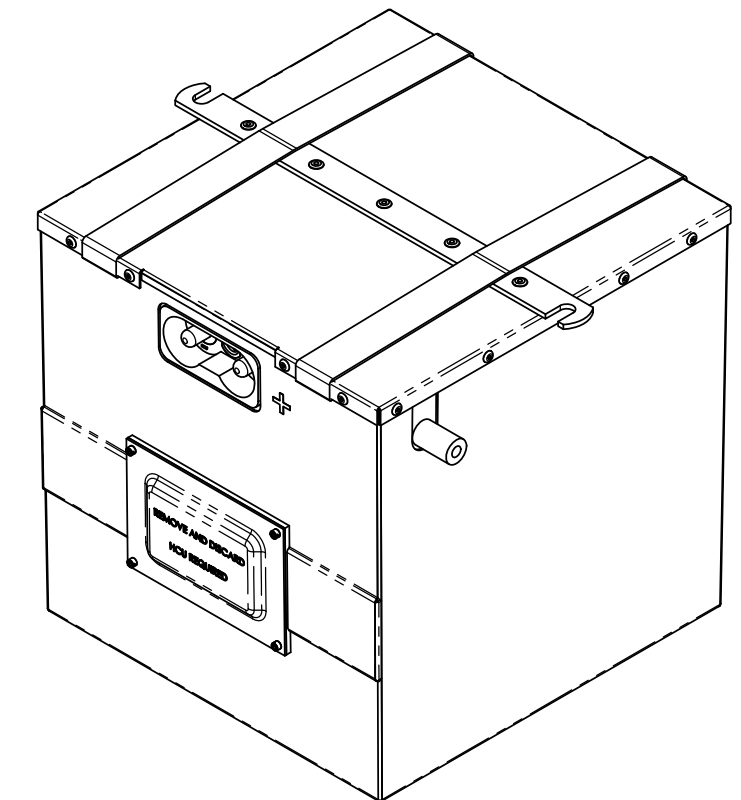
NOTES: UNLESS OTHERWISE SPECIFIED

1. MANUFACTURED AND INSPECTED IAW AS9100 QUALITY SYSTEM REQUIREMENTS.
2. ABBREVIATION USED IN TITLE IS: VALVE REGULATED SEALED LEAD ACID (VRSLA).
3. SEE DRAWING NO. CB-00415 AND PROCEDURE P-1000 FOR ASSEMBLY AND TEST INSTRUCTION. PROCEDURES AND ASSEMBLY DRAWINGS ARE FOR INTERNAL USE ONLY.
4. BATTERIES ARE RATED IAW INTERNATIONAL ELECTROTECHNICAL COMMISSION STANDARD 60952-1 AND RTCA STANDARD DO-293A, UNLESS OTHERWISE NOTED.
5. DIMENSIONS ARE INCH [MILLIMETER].
6. "LH" SUFFIX DENOTES A "FIRE RESISTANT" EXTERNAL CONTAINER CONSTRUCTED OF 5052 ALUMINUM ALLOY.
"LSH" SUFFIX DENOTES A "FIRE PROOF" EXTERNAL CONTAINER CONSTRUCTED OF STAINLESS STEEL.
7. HEATER CONTROL UNIT (HCU) IS REQUIRED TO CONSTITUTE A COMPLETE BATTERY ASSEMBLY. REFER TO CONCORDE'S WEBSITE FOR AVAILABLE HCU'S. ONLY HCU'S SUPPLIED BY CONCORDE ARE PERMITTED.
8. CAUTION: DO NOT POWER AC AND DC HEATERS SIMULTANEOUSLY.
9. REFER TO DRAWING RG-380E/44L(S)H[] FOR ENVELOPE DRAWING WITH HCU INSTALLED.

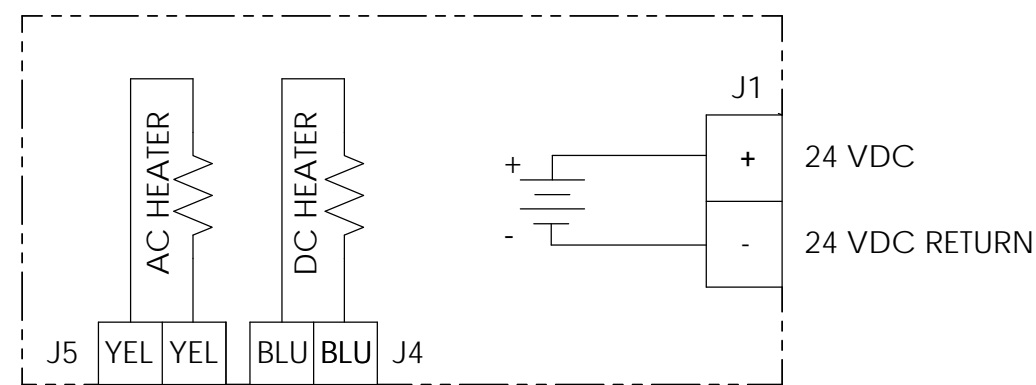
REVISIONS			
REV	DESCRIPTION	DATE	APPROVED
A	UPDATED VIEWS OF CONTAINER & COVER, DO-293A WAS DO-293, REVISED NOTE 9	6/16/16	PH



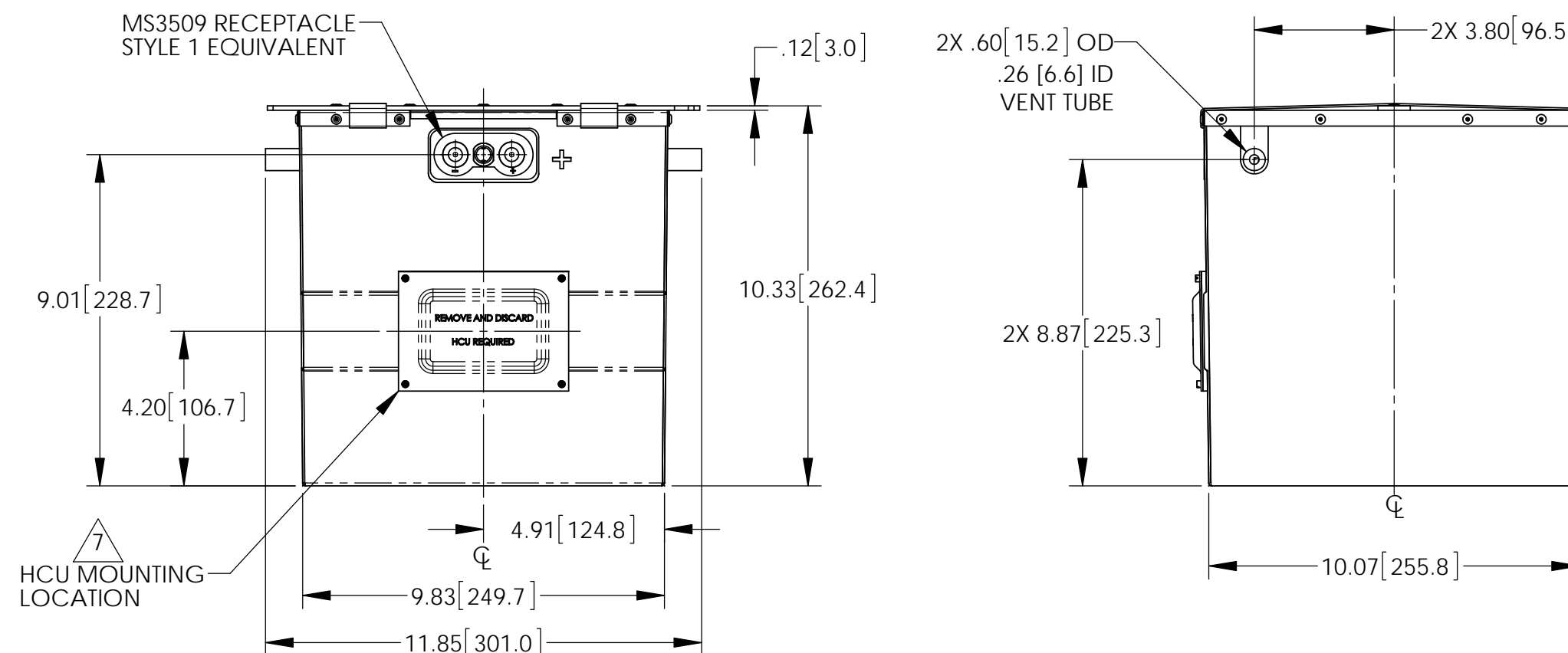
DETAIL A
SCALE 1:2



ISOMETRIC VIEW



BATTERY SCHEMATIC



PART NUMBER	RG-380E/44LH	RG-380E/44LSH
MAXIMUM WEIGHT	89 LBS [40.4 KG]	91 LBS [41.3 KG]
RATED CAPACITY, C ₁	42 AH	
POWER RATING AT 23°C	I _{pp} 1350 A, I _{pr} 1000 A	
POWER RATING AT -18°C	I _{pp} 875 A, I _{pr} 750 A	
POWER RATING AT -30°C	I _{pp} 750 A, I _{pr} 600 A	
INTERNAL DC HEATER	8	10.62A @ 28.25 VDC
INTERNAL AC HEATER	8	2.61A @ 115 VAC

ENVELOPE DRAWING

UNLESS OTHERWISE SPECIFIED DIMENSIONS ARE IN INCHES TOLERANCES ARE:		CONTRACT NO.		CONCORDE BATTERY CORPORATION 2009 SAN BERNARDINO RD, W. COVINA, CA 91790		
FRACTIONS	DECIMALS	ANGLES	APPROVALS	DATE	TITLE	
±1/32	.XX ± .06 XXX ± .030	±1°	R. MURRIETTA	4/26/11	BATTERY, VRSLA, 24 VOLT, RG-380E/44L(S)H	
TREATMENT	NONE	CHECKED	AMIII	5/9/11	SIZE	CAGE CODE
FINISH	NONE	APPROVED	JBT	5/11/11	C	63017
SIMILAR TO	CALC WT	ISSUED	JG	6/17/16	DWG NO.	REV
					RG-380E/44LH	A
SCALE 1:4				SHEET 1 OF 1		