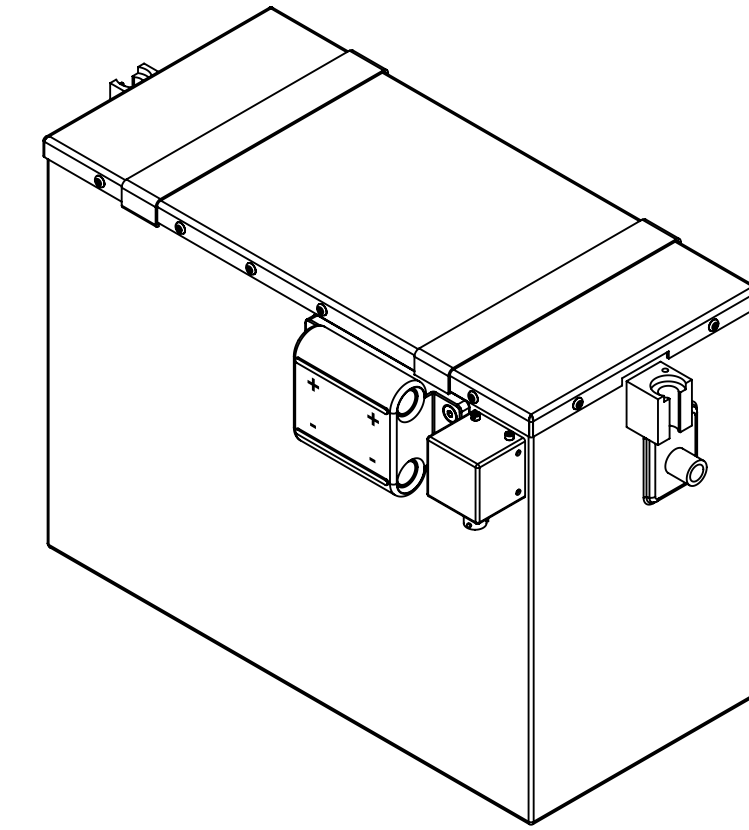
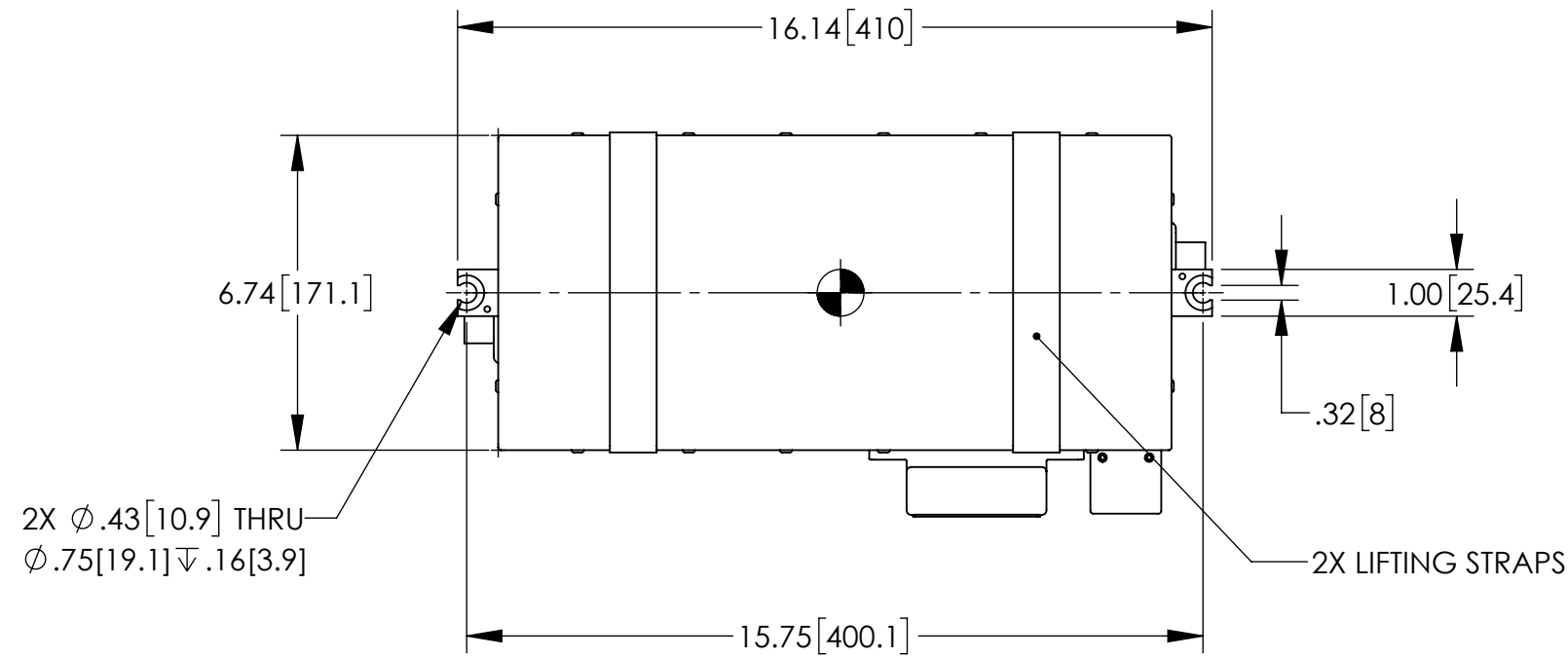
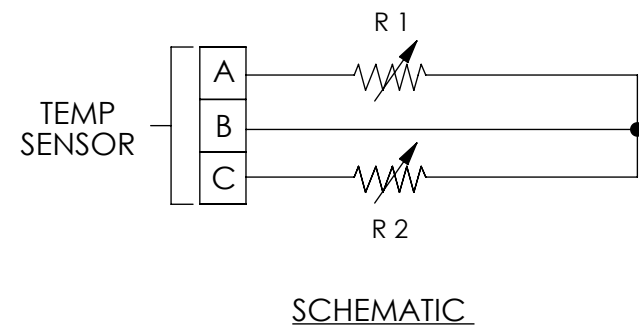


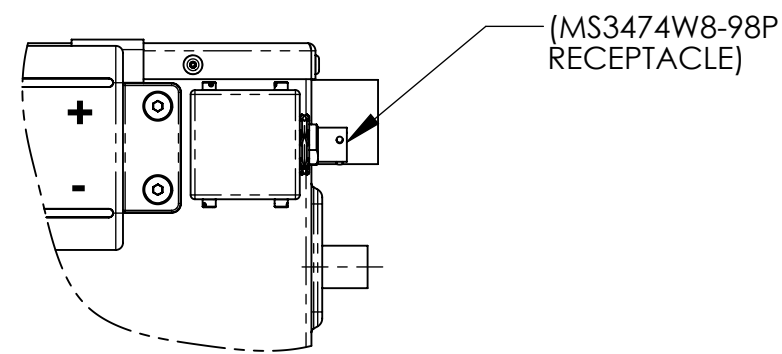
NOTES: UNLESS OTHERWISE SPECIFIED

1. MANUFACTURED AND INSPECTED IAW AS9100 QUALITY SYSTEM REQUIREMENTS.
2. ABBREVIATION USED IN TITLE IS: VALVE REGULATED SEALED LEAD ACID (VRSLA).
3. SEE DRAWING NO. CB-00433 AND PROCEDURE P-1000 FOR ASSEMBLY AND TEST INSTRUCTION. PROCEDURES AND ASSEMBLY DRAWINGS ARE FOR INTERNAL USE ONLY.
4. BATTERIES ARE RATED IAW INTERNATIONAL ELECTROTECHNICAL COMMISSION STANDARD 60952-1 AND RTCA STANDARD DO-293A, UNLESS OTHERWISE NOTED.
5. DIMENSIONS ARE INCH [MILLIMETER].

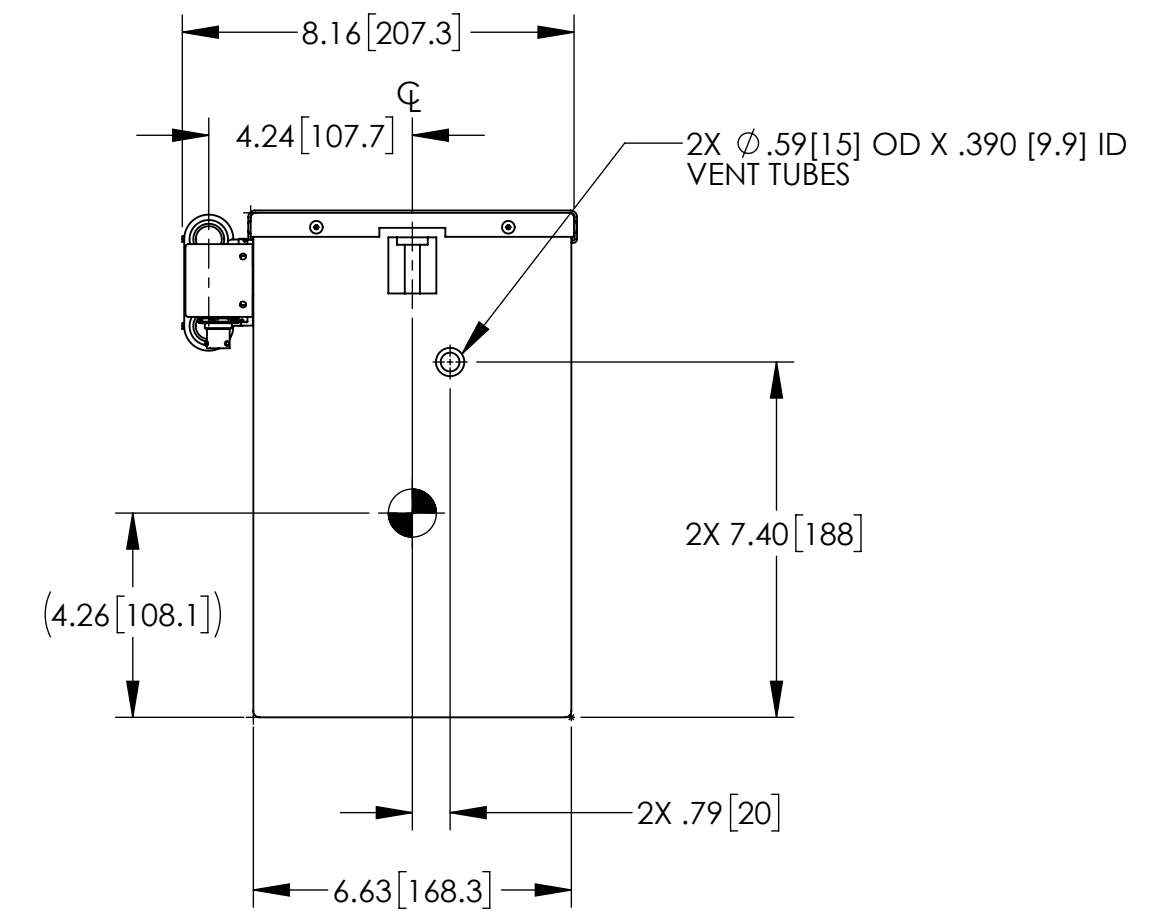
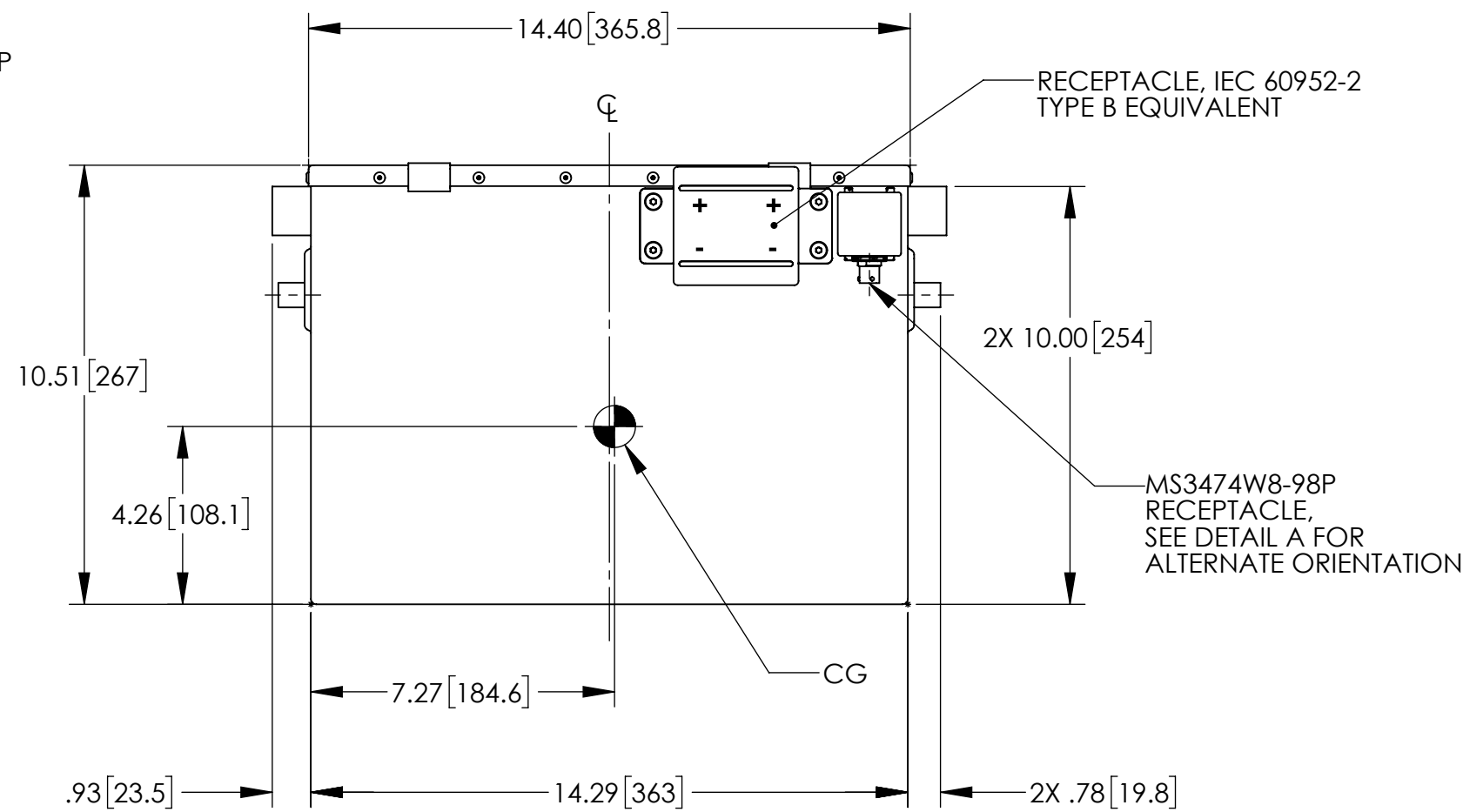
REVISIONS			
REV	DESCRIPTION	DATE	APPROVED
A	ADDED CG, CORRECTED SENSOR CONNECTOR PART NUMBER	6/19/19	PH



ISOMETRIC VIEW



DETAIL A
ALTERNATE RECEPTACLE ORIENTATION



ENVELOPE DRAWING

PART NUMBER	RG-332-1
MAXIMUM WEIGHT	88.0 LBS [39.9 KG]
RATED CAPACITY, C ₁	44 AH
POWER RATING AT 23° C	lpp 1200 A, lpr 950 A
POWER RATING AT -18° C	lpp 1025 A, lpr 800 A
POWER RATING AT -30° C	lpp 875 A, lpr 675 A
INTERNAL AC HEATER	NOT HEATED

UNLESS OTHERWISE SPECIFIED DIMENSIONS ARE IN INCHES TOLERANCES ARE:			CONTRACT NO.		CONCORDE BATTERY CORPORATION 2009 SAN BERNARDINO RD, W. COVINA, CA 91790		
FRACTIONS	DECIMALS	ANGLES	APPROVALS	DATE	TITLE		
$\pm 1/32$.XX \pm .06 .XXX \pm .030	$\pm 1^\circ$	DRAWN D. AYALA	5/10/13	BATTERY, VRSLA, 24 VOLT		
TREATMENT	NONE	CHECKED NS	9/24/14	SIZE C	CAGE CODE 63017	DWG NO. RG-332-1	REV A
FINISH	NONE	APPROVED JBT	11/19/14	SCALE 1:4	SHEET 1 OF 1		
SIMILAR TO	CALC WT	ISSUED JG	6/21/19				