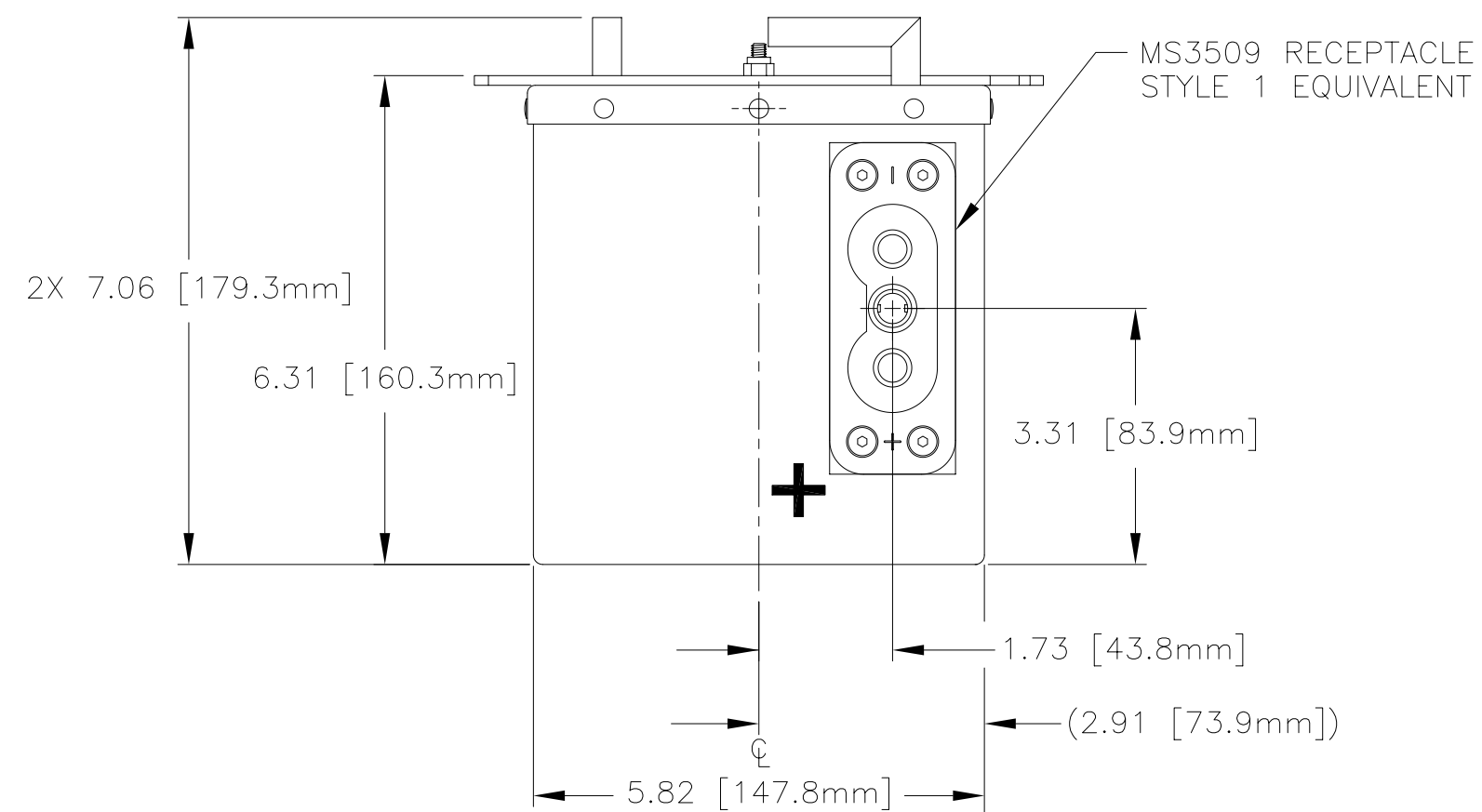
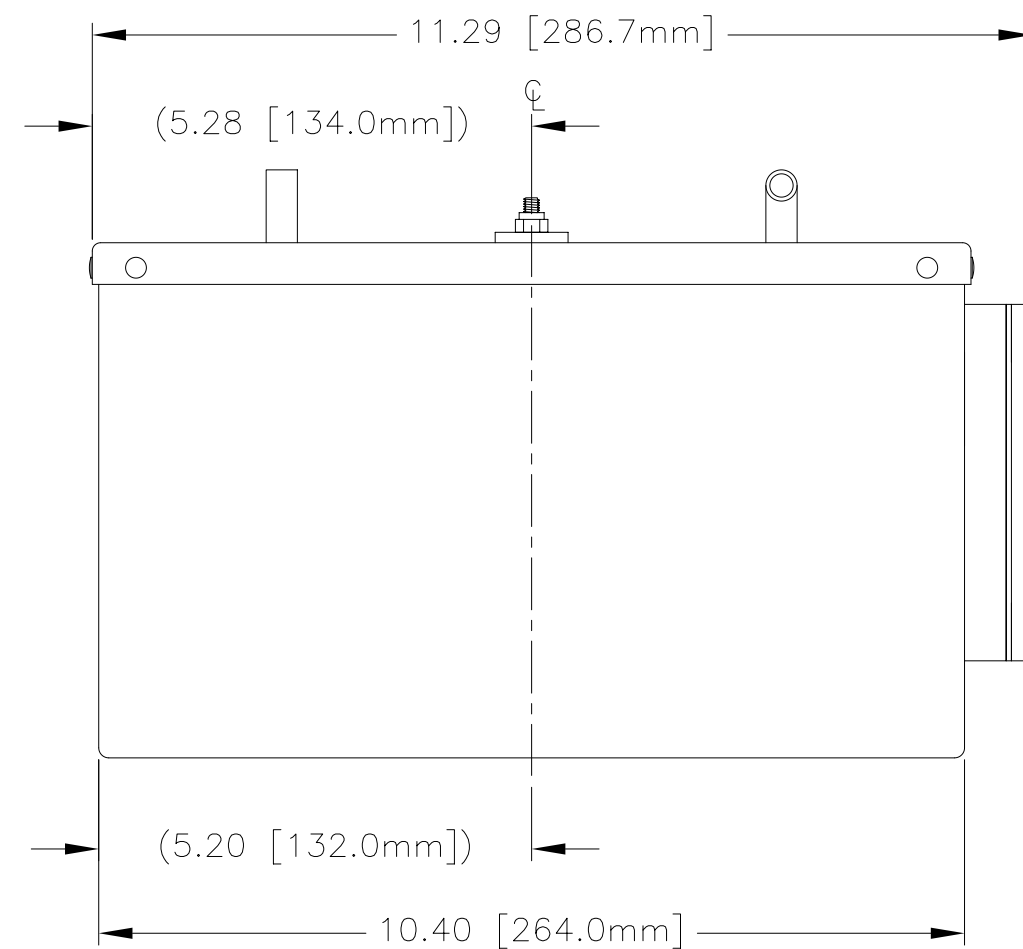
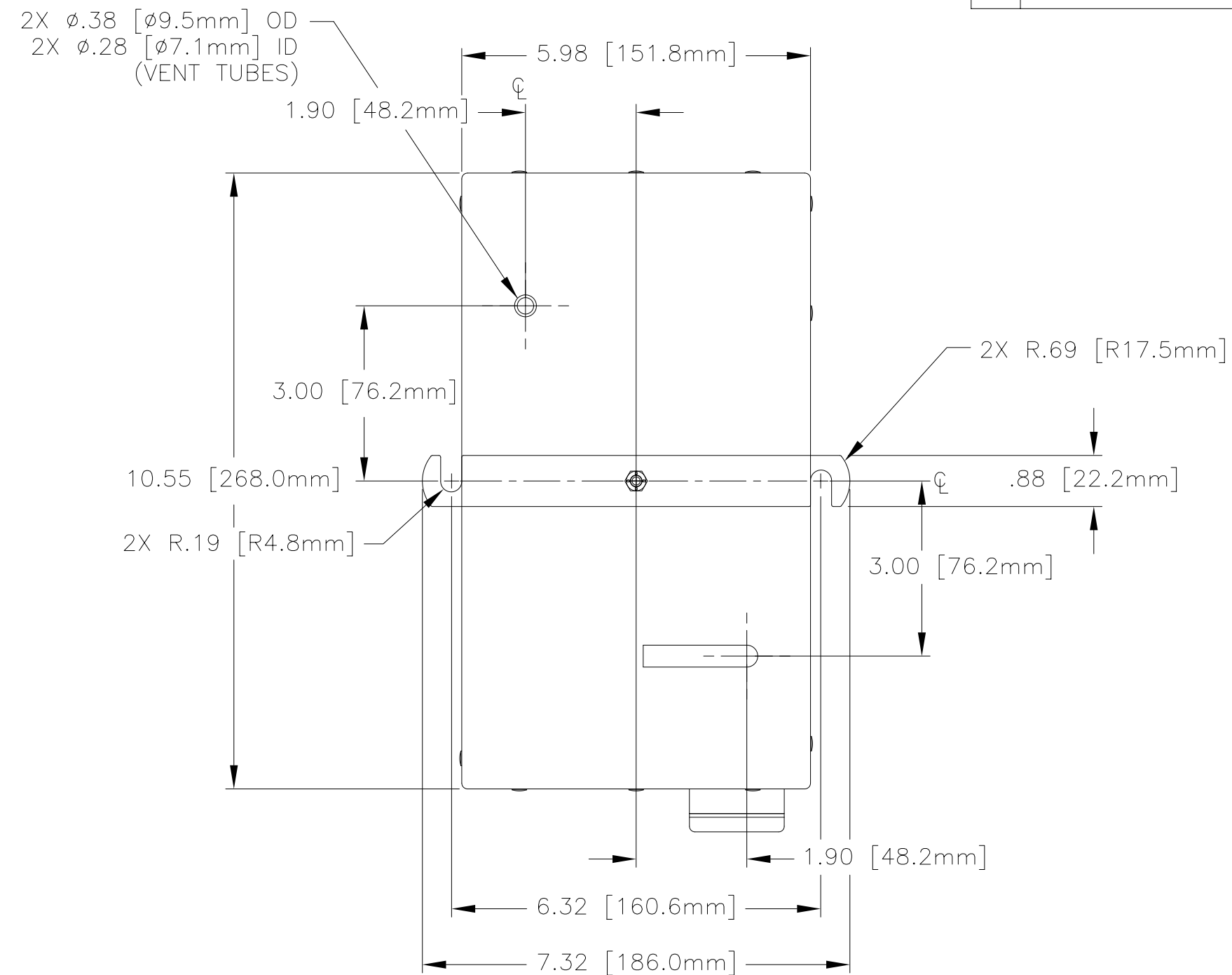


NOTES: UNLESS OTHERWISE SPECIFIED

- BATTERY CONFORMS TO THE DESIGN REQUIREMENTS OF 14 CFR PARTS 23.1353, 25.1353(c), 27.1353, 29.1353(c).
- INSPECT PER FAR 21.303(h) QUALITY SYSTEM.
- ABBREVIATION USED IN TITLE IS: VALVE REGULATED SEALED LEAD ACID (VRSLA).
- SEE DRAWING NO. CB-00264 AND PROCEDURE P-1000 FOR ASSEMBLY AND TEST INSTRUCTION. PROCEDURES AND ASSEMBLY DRAWINGS ARE FOR INTERNAL USE ONLY.
- BATTERIES ARE RATED IAW INTERNATIONAL ELECTROTECHNICAL COMMISSION STANDARD 952-1, UNLESS OTHERWISE NOTED.
- BATTERY WITH "A" SUFFIX IS PRIVATE LABEL.

REVISIONS			
REV	DESCRIPTION	DATE	APPROVED



ENVELOPE DRAWING

PART NUMBER	RG-203
MAXIMUM WEIGHT	33 LBS [15 KG]
RATED CAPACITY, C <sub>1</sub>	12 AH
POWER RATING AT 23°C	lpr 601 A, lpp 1561 A
POWER RATING AT -18°C	lpr 466 A, lpp 1275 A
POWER RATING AT -30°C	lpr 335 A, lpp 1514 A

QTY REQD	CAGE CODE	PART OR IDENTIFYING NO.	NOMENCLATURE OR DESCRIPTION	MATERIAL SPECIFICATION	ITEM NO.
PARTS LIST					
UNLESS OTHERWISE SPECIFIED DIMENSIONS ARE IN INCHES TOLERANCES ARE: FRACTIONS DECIMALS ANGLES ± 1/32 .xx ± .06 ± 1' .xxx ± .030			CONCORDE BATTERY CORPORATION 2009 SAN BERNARDINO RD, W. COVINA, CA 91790		
TREATMENT NONE		APPROVALS		DATE	
FINISH NONE		DRAWN D. PEREZ		10/7/03	
SIMILAR TO		CHECKED AMIII		10/9/03	
ACT WT		APPROVED JBT		10/13/03	
CALC WT		ISSUED AT		10/28/03	
TITLE			BATTERY, VRSLA, 24 VOLT		
SIZE		CAGE CODE		DWG NO.	
C		63017		RG-203	
SCALE NONE			SHEET 1 OF 1		

ENGINEERING COPY 28OCT03