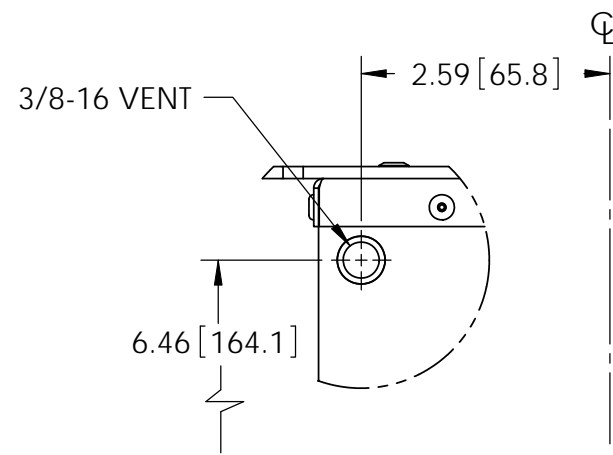


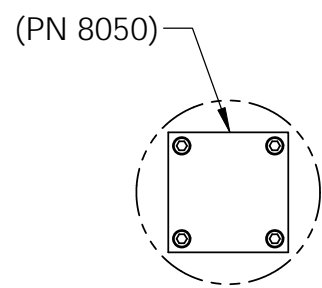
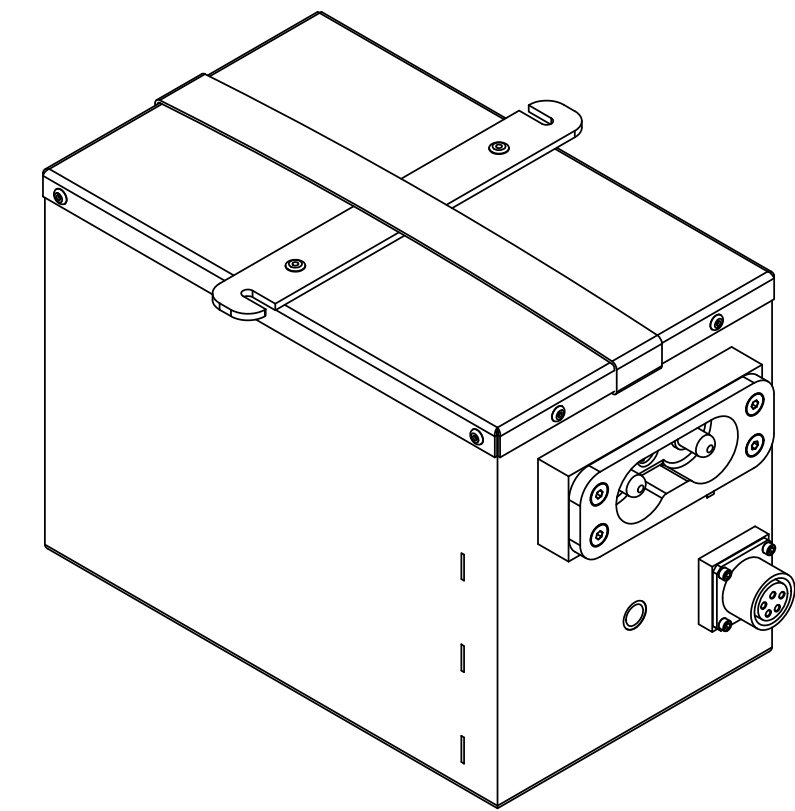
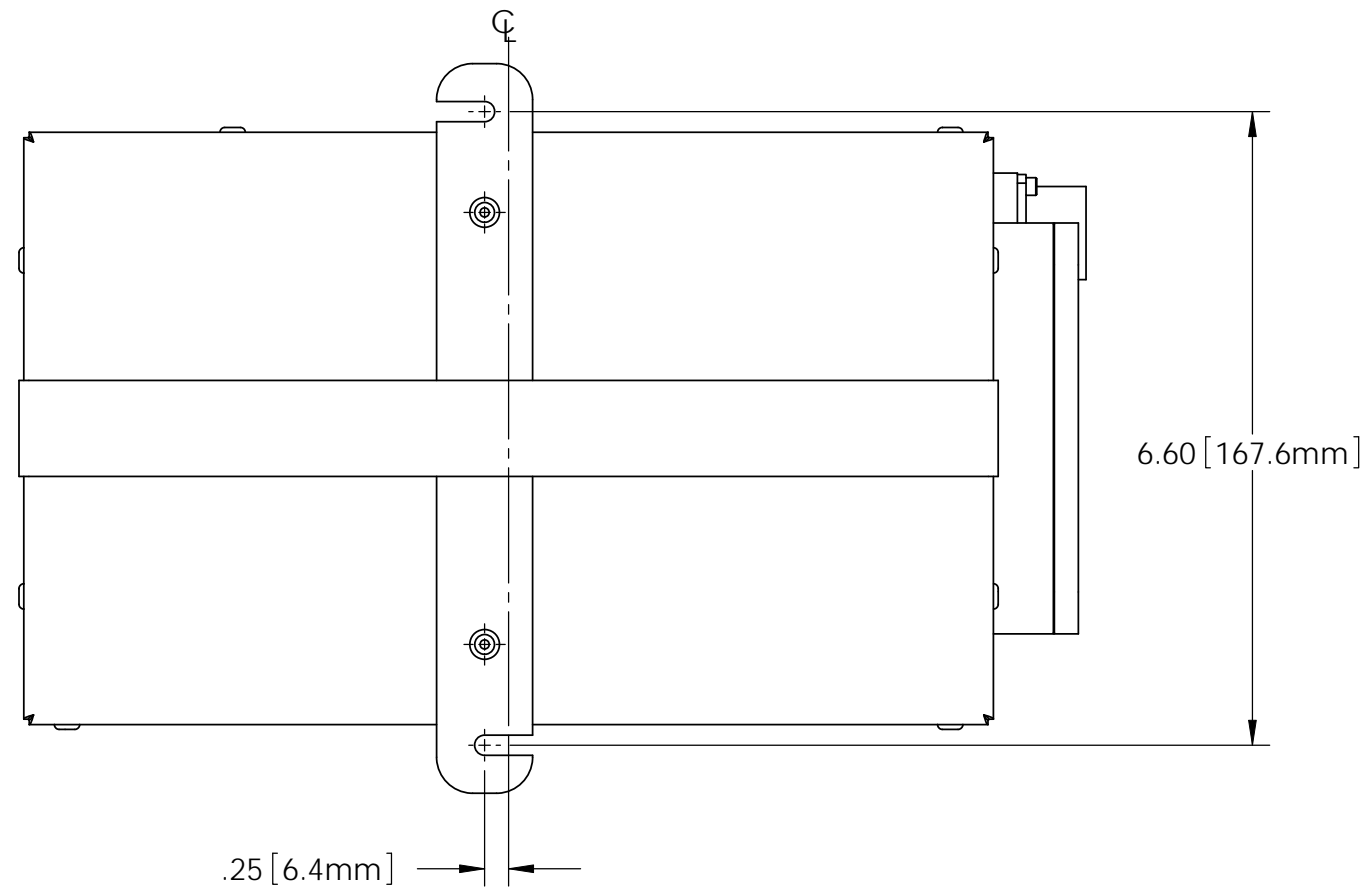
NOTES: UNLESS OTHERWISE SPECIFIED

1. MANUFACTURED AND INSPECTED IAW AS9100 QUALITY SYSTEM REQUIREMENTS.
2. SEE DRAWING NO. CB-00412 AND PROCEDURE P-1000 FOR ASSEMBLY AND TEST INSTRUCTION. PROCEDURES AND ASSEMBLY DRAWINGS ARE FOR INTERNAL USE ONLY.
3. BATTERIES ARE RATED IAW INTERNATIONAL ELECTROTECHNICAL COMMISSION STANDARD 60952-1 AND RTCA STANDARD DO-293, UNLESS OTHERWISE NOTED.

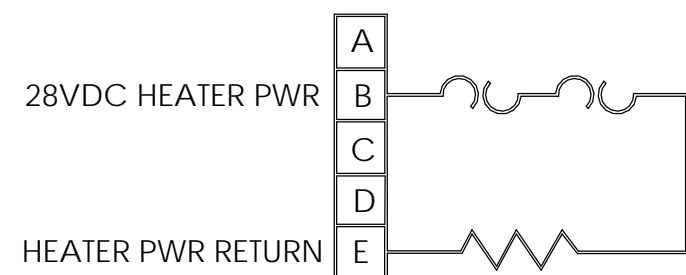
REVISIONS			
REV	DESCRIPTION	DATE	APPROVED
A	RG-145-2: ADDED COLD TEMP POWER AND CAPACITY RATINGS, AND SCHEMATIC	8/4/10	JBT



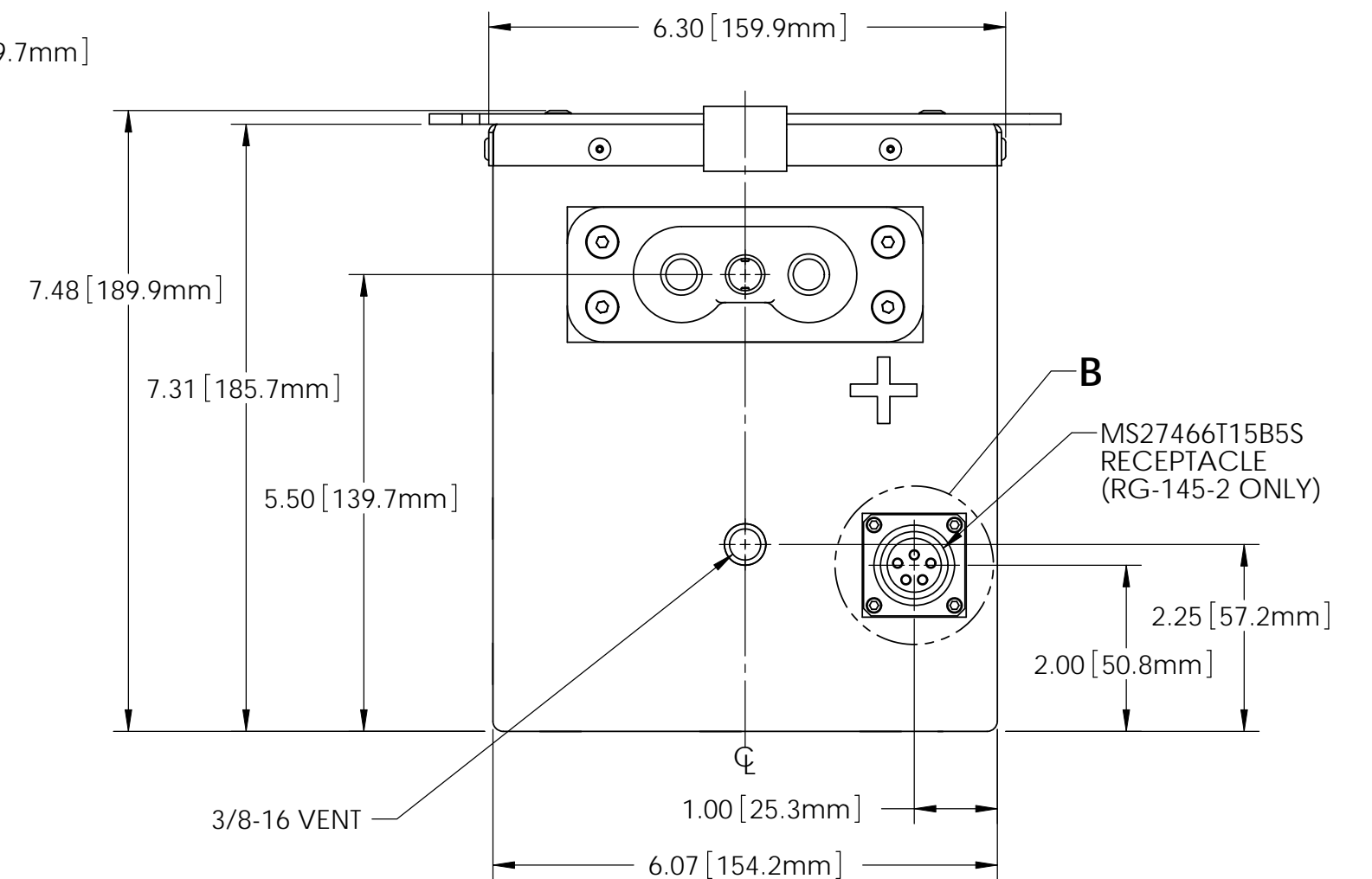
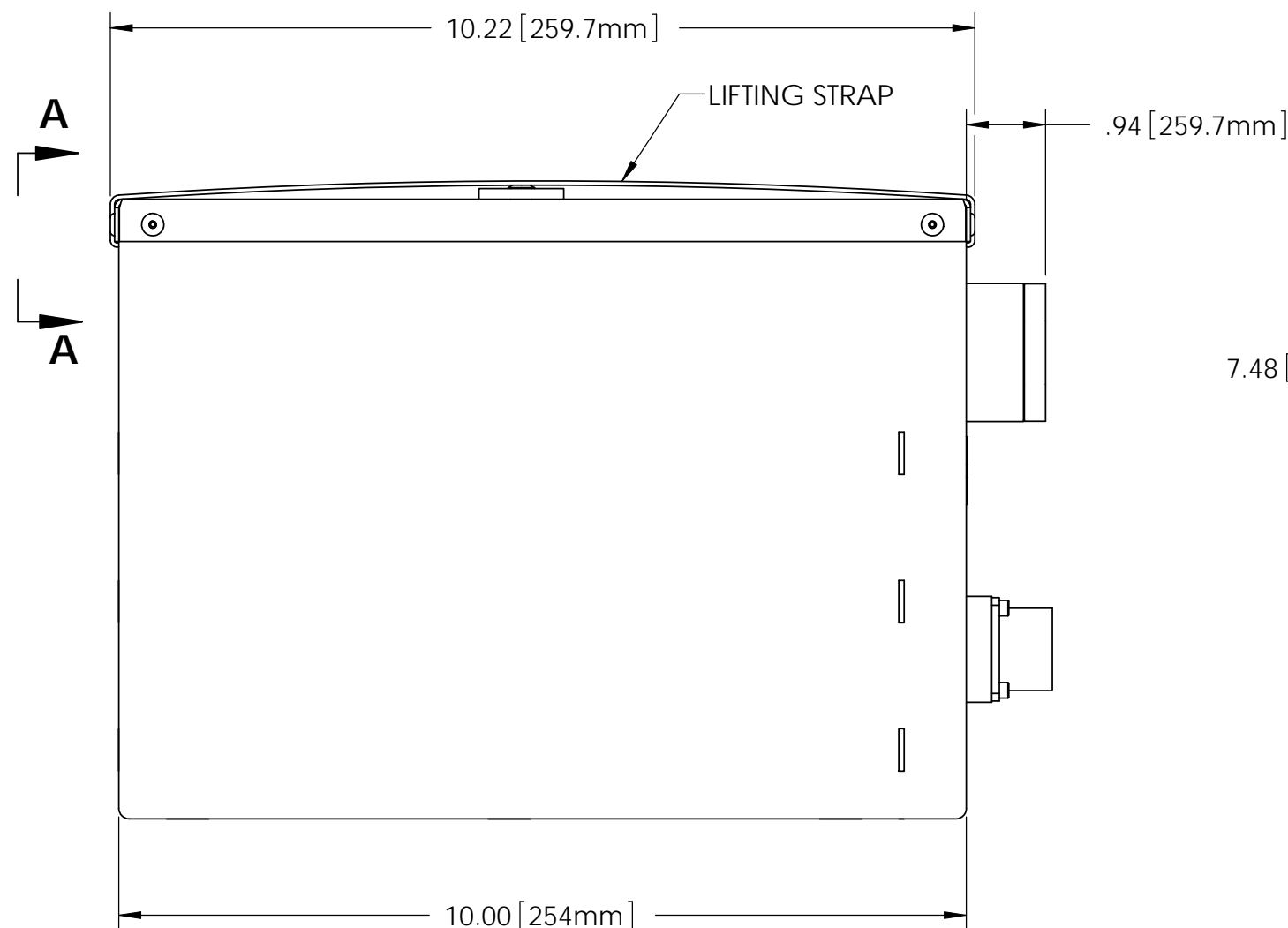
VIEW A-A



DETAIL B
COVER, RECEPTACLE MOUNTING BLOCK (RG-145-1 ONLY)



SCHEMATIC CONNECTOR PIN IDENTIFICATION
RG-145-2 ONLY



PART NUMBER	RG-145-1			RG-145-2		
	MAXIMUM WEIGHT	42.5 LBS MAX [19.7 KG]			42.5 LBS MAX [19.7 KG]	
RATED CAPACITY, C ₁	17 AH			17 AH		
TEST TEMPERATURE	@23°C (74°F)	@-18°C (0°F)	@-30°C (-22°F)	@23°C (74°F)	@-18°C (0°F)	@-30°C (-22°F)
POWER RATING	I _{pp} = 900 A, I _{pr} = 625A	I _{pp} = 600 A, I _{pr} = 425A	I _{pp} = 450 A, I _{pr} = 300A	I _{pp} = 900 A, I _{pr} = 625A	I _{pp} = 600 A, I _{pr} = 425A	I _{pp} = 450 A, I _{pr} = 300A
CAPACITY, 17 A	17.0 AH	11.0 AH	8.0 AH	17.0 AH	17.0 AH	13.0 AH
RAPID DISCHARGE, 170 A	10.0 AH	NOT RATED	3.5 AH	10.0 AH	NOT RATED	10.0 AH
INTERNAL DC HEATER	NONE			5.75A MAX @ 28.25 VDC		

POWER APPLIED TO HEATERS FOR 1 HOUR PRIOR TO TEST AT LOW TEMPERATURES.

ENVELOPE DRAWING

UNLESS OTHERWISE SPECIFIED DIMENSIONS ARE IN INCHES TOLERANCES ARE:			CONTRACT NO.		CONCORDE BATTERY CORPORATION 2009 SAN BERNARDINO RD, W. COVINA, CA 91790	
FRACTIONS	DECIMALS	ANGLES	APPROVALS	DATE	TITLE	
±1/32	.XX ± .06 XXX ± .030	±1°	R. MURRIETTA	1/25/10	BATTERY, VRSLA, 24 VOLT, RG-145 SERIES	
TREATMENT	NONE	CHECKED	JBT	2/3/10	SIZE	CAGE CODE
FINISH	NONE	APPROVED	JBT	2/3/10	C	63017
SIMILAR TO	CALC WT	ISSUED	JJ	8/5/10	DWG NO.	REV
					RG-145	A
		SCALE	1:2		SHEET	1 OF 1