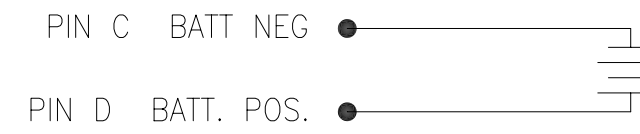
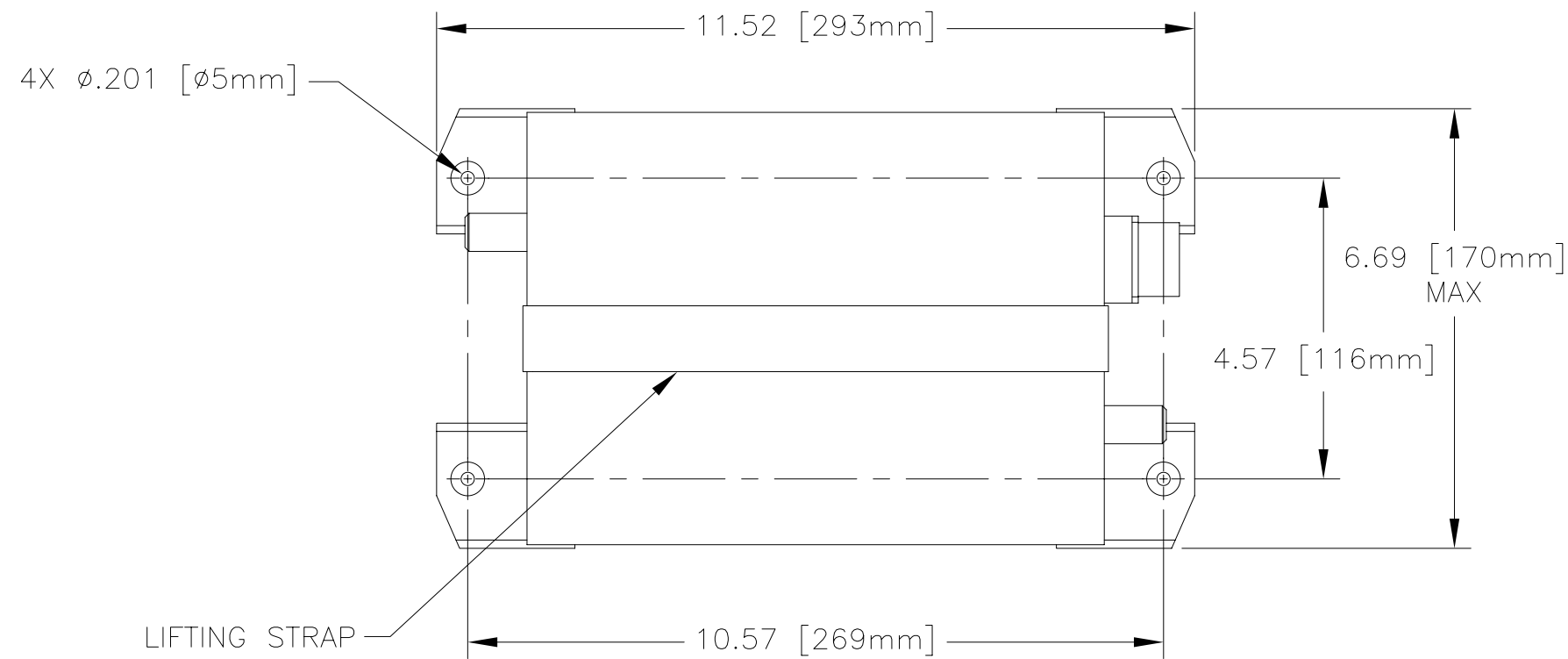


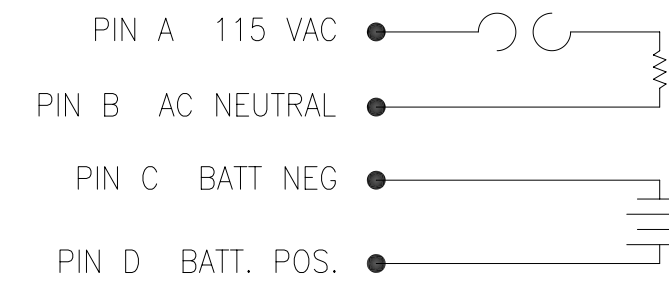
NOTES: UNLESS OTHERWISE SPECIFIED

- BATTERY CONFORMS TO THE DESIGN REQUIREMENTS OF 14 CFR PARTS 23.1353, 25.1353(c), 27.1353, 29.1353(c).
- INSPECT PER FAR 21.303(h) QUALITY SYSTEM.
- ABBREVIATION USED IN TITLE IS: VALVE REGULATED SEALED LEAD ACID (VRSLA).
- SEE DRAWING NO. CB-00165 AND PROCEDURE P-1000 FOR ASSEMBLY AND TEST INSTRUCTION. PROCEDURES AND ASSEMBLY DRAWINGS ARE FOR INTERNAL USE ONLY.
- BATTERIES ARE RATED IAW INTERNATIONAL ELECTROTECHNICAL COMMISSION STANDARD 90952-1, UNLESS OTHERWISE NOTED.
- DIMENSIONS ARE IN INCH [MILLIMETERS].

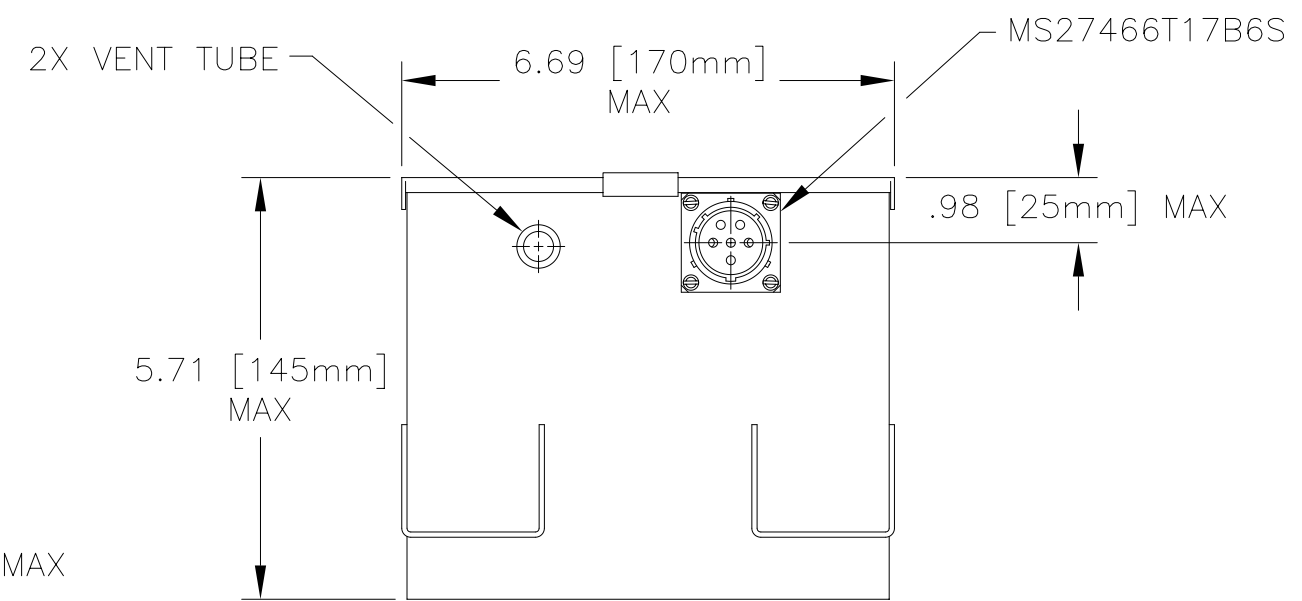
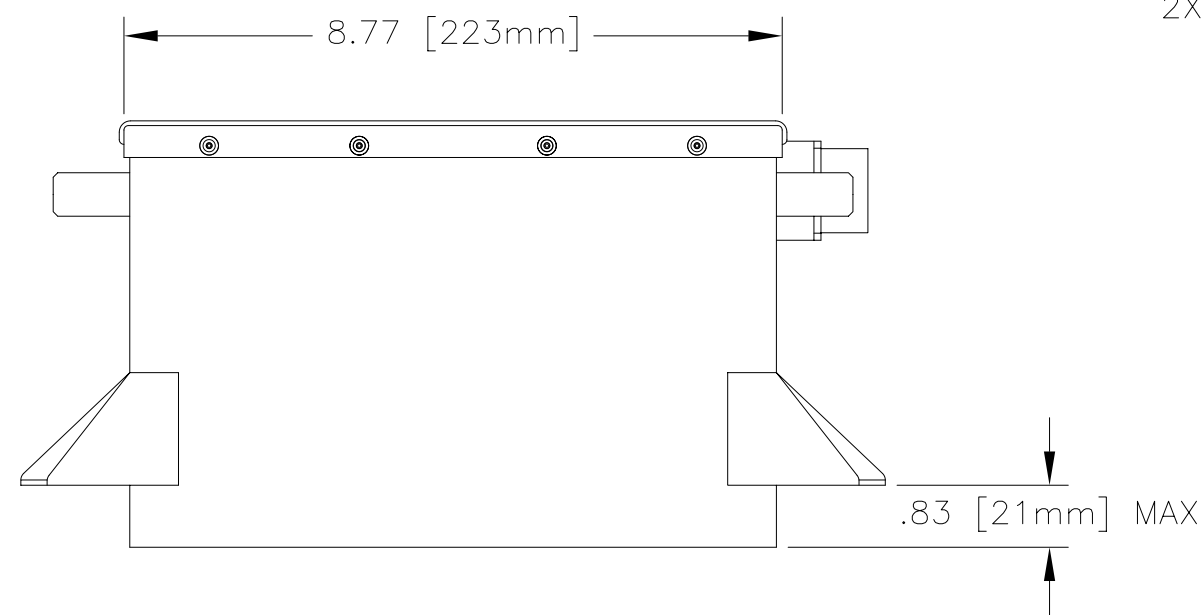
REVISIONS			
REV	DESCRIPTION	DATE	APPROVED
A	REV RATINGS	6/20/01	JBT
B	ADDED VERSION WITHOUT HEATERS	11/6/03	JBT
C	REVISED PN, RG-123 WAS RG-123-2	11/07/04	JBT
D	ADDED LIFTING STRAP	6/12/07	JBT



CONNECTOR SCHEMATIC DIAGRAM
(RG-123-1 ONLY)



CONNECTOR SCHEMATIC DIAGRAM
(RG-123 ONLY)



PART NUMBER	RG-123			RG-123-1		
	MAXIMUM WEIGHT	26.0 LBS [11.8 KG]			26.0 LBS [11.8 KG]	
RATED CAPACITY, C ₁	11.0 AH			11.0 AH		
POWER RATING	NOT RATED			NOT RATED		
TEST TEMPERATURE	@23°C (74°F)	@-18°C (0°F)	@-30°C (-22°F)	@23°C (74°F)	@-18°C (0°F)	@-30°C (-22°F)
CAPACITY, 11.0 A	11.0 AH	10.6 AH	10.6 AH	11.0 AH	7.9 AH	5.6 AH
RAPID DISCHARGE, 66 A	8.7 AH	NOT RATED	7.1 AH	8.7 AH	NOT RATED	4.1 AH
INTERNAL AC HEATER	3A MAX @ 115 VAC			NONE		

ENVELOPE DRAWING

QTY	REQD	CAGE CODE	PART OR IDENTIFYING NO.	NOMENCLATURE OR DESCRIPTION	MATERIAL SPECIFICATION	ITEM NO.
PARTS LIST						
UNLESS OTHERWISE SPECIFIED DIMENSIONS ARE IN INCHES TOLERANCES ARE:				CONCORDE BATTERY CORPORATION 2009 SAN BERNARDINO RD, W. COVINA, CA 91790		
FRACTIONS DECIMALS ANGLES				TITILE BATTERY, VRSLA, 24 VOLT RG-123 SERIES		
± 1/32 .XX ± .06 ± 1°				APPROVALS DATE		
.XXX ± .030				DRAWN S. VALDEZ 4/2/01		
TREATMENT NONE				CHECKED AMIII 4/23/01		
FINISH NONE				APPROVED JBT 5/17/01		
SIMILAR TO				ISSUED NS 6/18/07		
SIZE	CAGE CODE	DWG NO.	REV	SCALE NONE		
C	63017	RG-123	D	SHEET 1 OF 1		