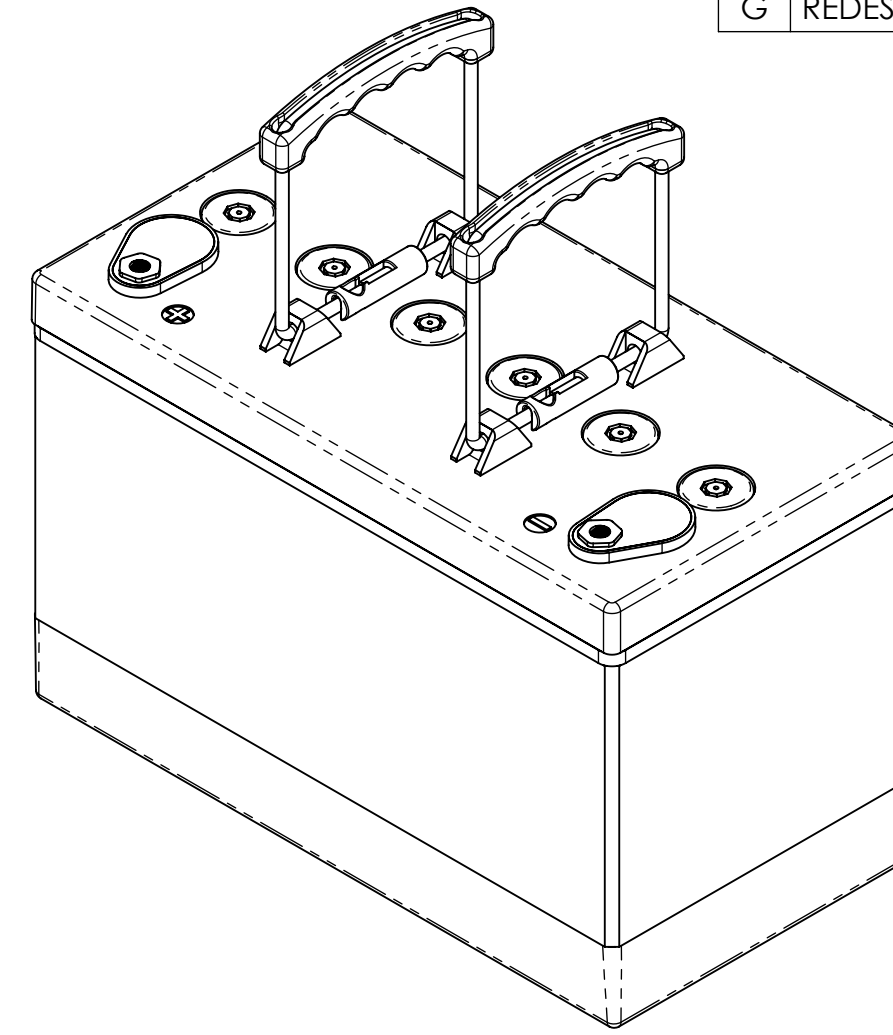


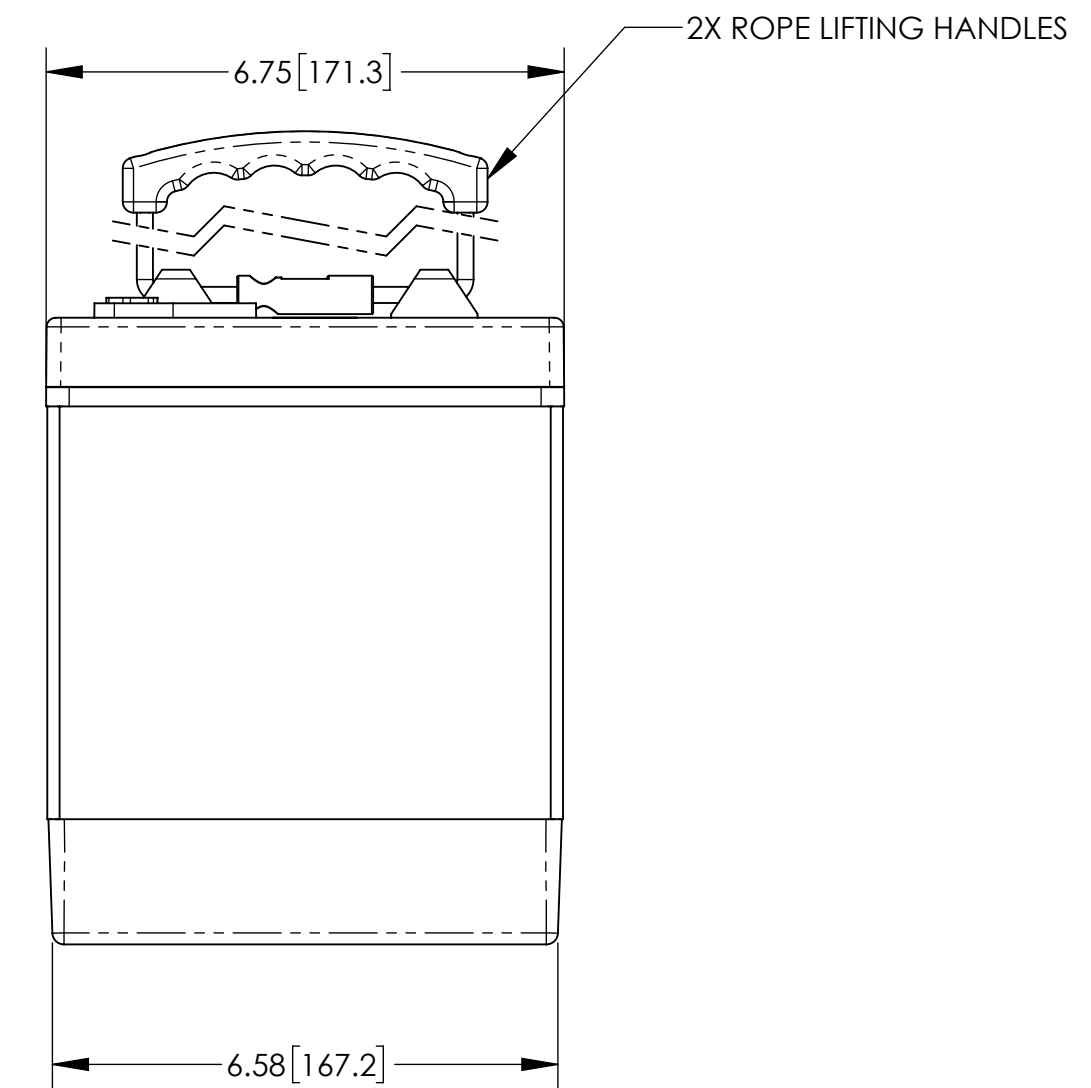
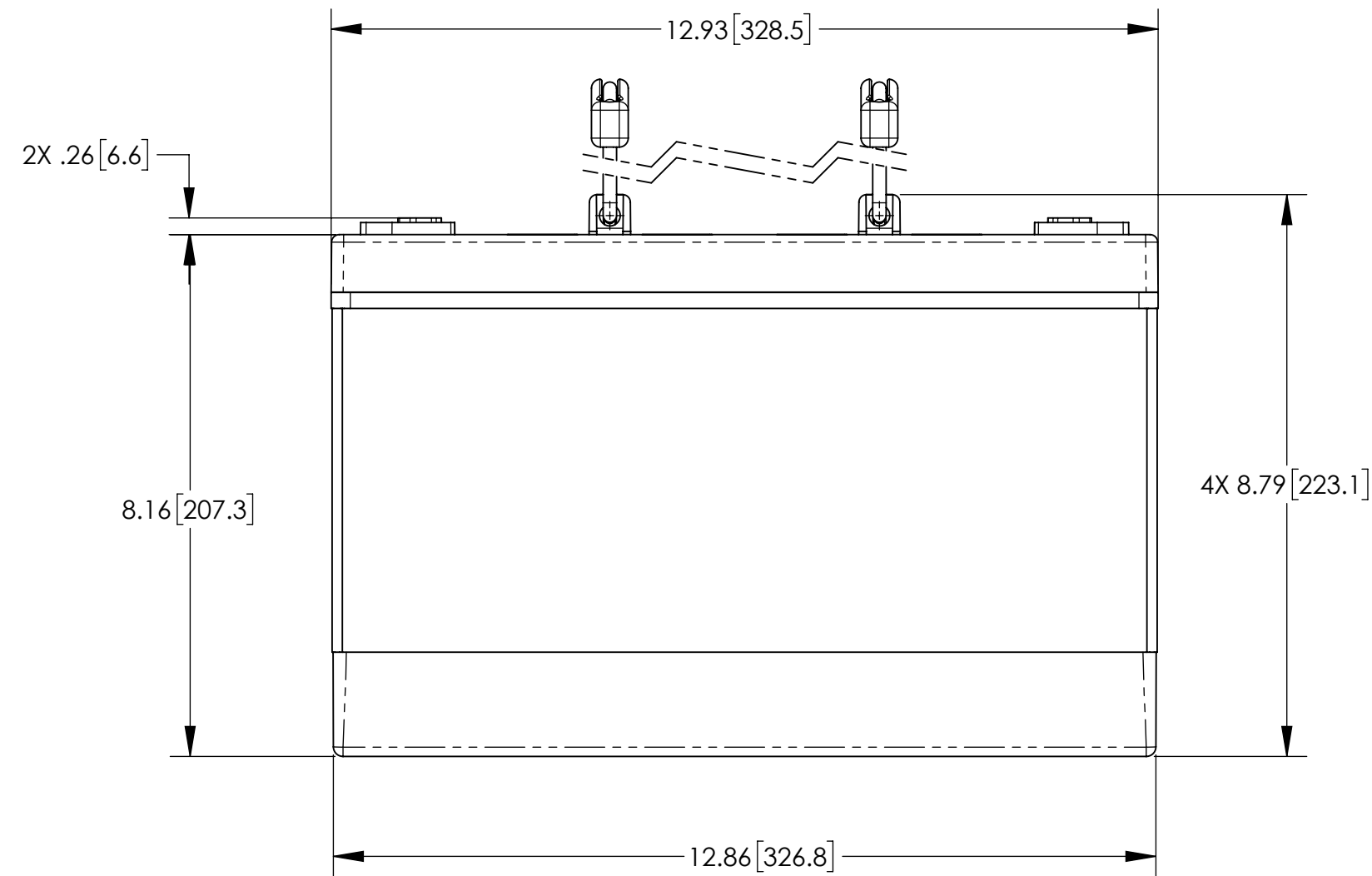
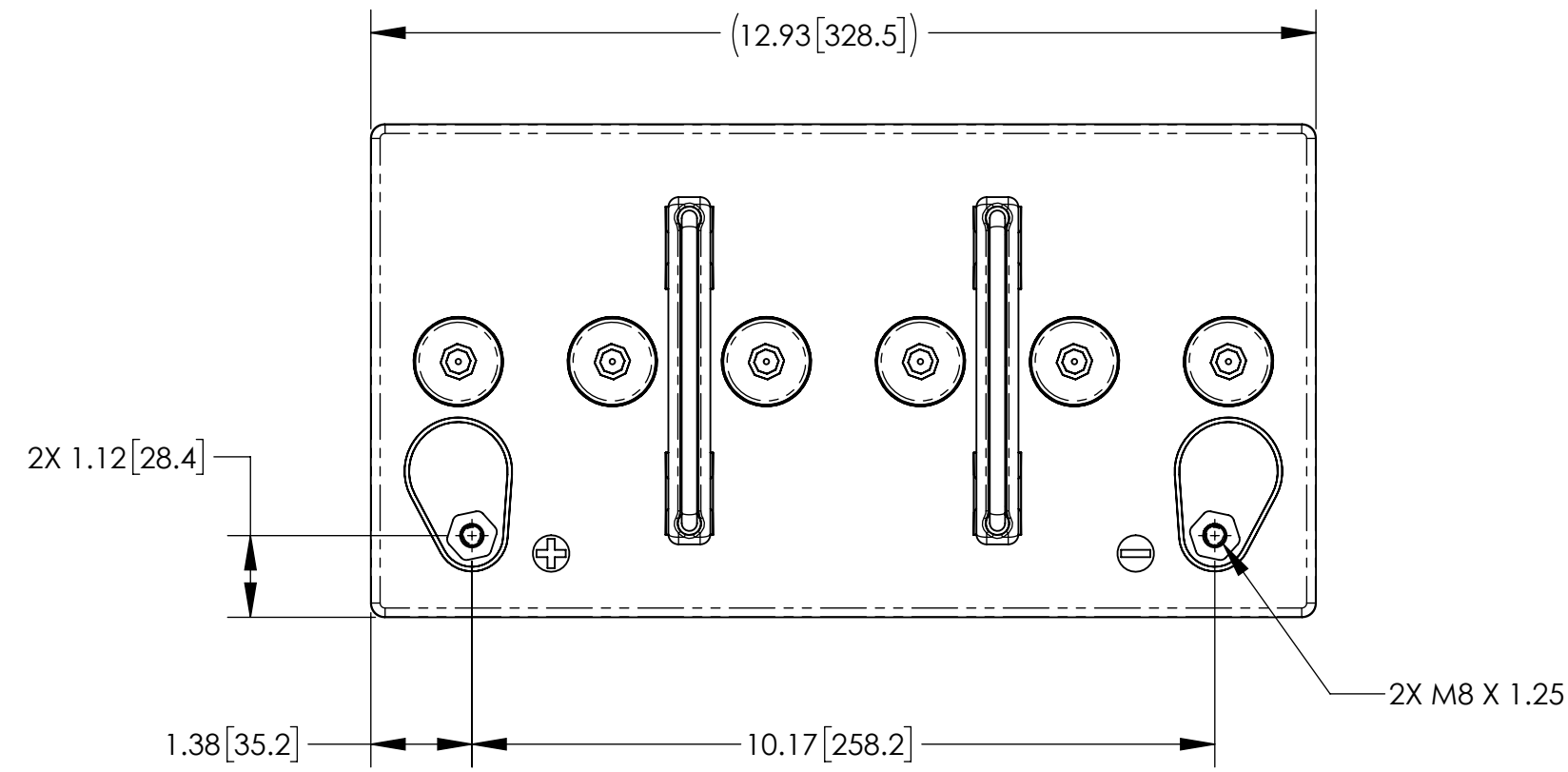
NOTES: UNLESS OTHERWISE SPECIFIED

1. SEE DRAWING NO. CB-00290 AND PROCEDURE P-1000 FOR ASSEMBLY AND TEST INSTRUCTION. PROCEDURES AND ASSEMBLY DRAWINGS ARE FOR INTERNAL USE ONLY.
2. ALL TESTING IS PERFORMED IAW BATTERY COUNCIL INTERNATIONAL STANDARDS.
3. ALL DIMENSIONS ARE INCH [MM]

REVISIONS			
REV	DESCRIPTION	DATE	APPROVED
G	REDESIGNED COVER	12/21/17	PH



ISOMETRIC VIEW



CAPACITY RATINGS		
PART NUMBER	AGM-1285T	AGM-12105T
NOMINAL WEIGHT	62 LBS [28.2 KG]	64 LBS [29 KG]
AMPERE HOUR CAPACITY @ 20 HOUR 1.75 VOLTS/CELL @ 77°F (25°C)	85 AH	105 AH
MINUTES OF DISCHARGE @ 25 AMPS 1.75 VOLTS/CELL @ 77°F (25°C)	158 MIN	195 MIN

ENVELOPE DRAWING

UNLESS OTHERWISE SPECIFIED DIMENSIONS ARE IN INCHES TOLERANCES ARE: FRACTIONS DECIMALS ANGLES ±1/32 .XX ±.06 ±1° .XXX ±.060	CONTRACT NO.		CONCORDE BATTERY CORPORATION 2009 SAN BERNARDINO RD, W. COVINA, CA 91790		
	APPROVALS		TITLE		
TREATMENT	NONE	CHECKED	S. VALDEZ	BATTERY, 12 VOLT, AGM-12105T SERIES	
FINISH	NONE	APPROVED	JBT	DATE	3/1/00
SIMILAR TO	CALC WT	ISSUED	JG	DATE	12/22/17
DRAWN			ELH	DATE	3/1/00
APPROVED			JBT	DATE	3/4/00
SCALE	1:2.5	CAGE CODE	63017	DWG NO.	AGM-12105T
SHEET			1	OF	1